



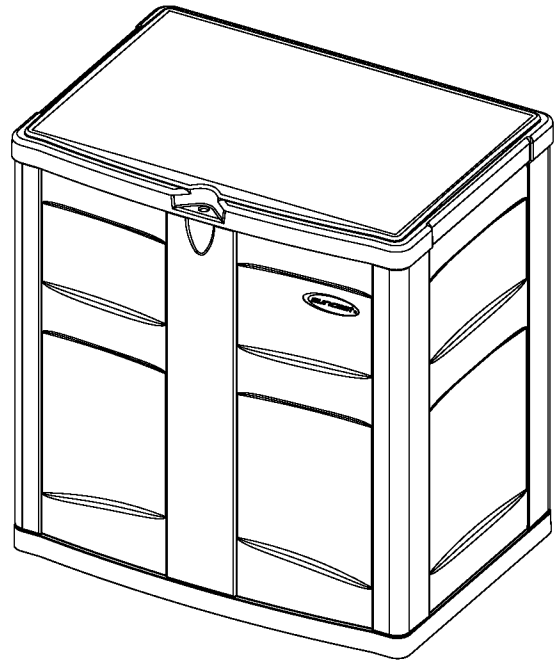
OWNER'S MANUAL

No Tools Required

C2900 / DB2900 Storage Trunk / Balcony Box

WARNING

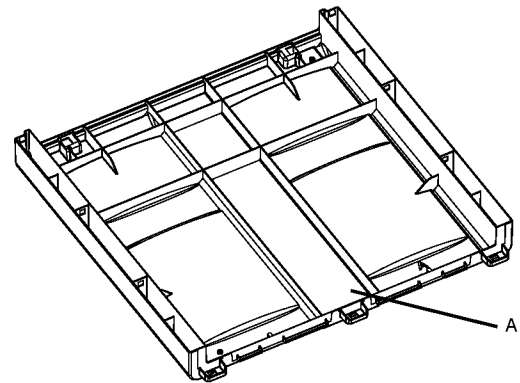
- Not intended for storage of flammable or caustic chemicals.
- Not intended for usage by children.
- To avoid risk of suffocation, do not allow children to play inside container.
- This product may become susceptible to impact damage in freezing temperatures.
- Do not store near excessive heat.
- Exercise caution when moving fully loaded product. This product is not intended for transporting heavy objects. Use as a stationary storage device only.
- Do not sit or stand on lid.
- Do not store items on lid.



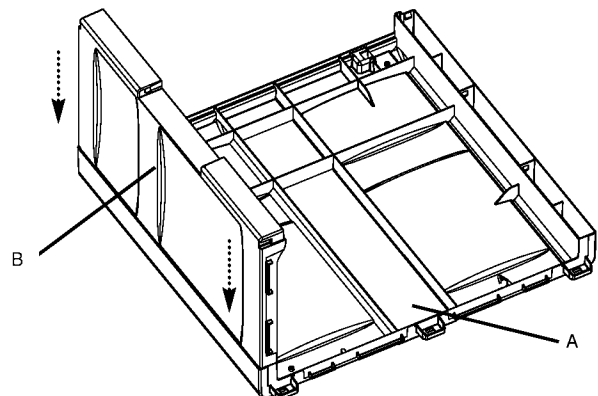
Read instructions prior to assembly. This product contains parts that can be damaged if incorrectly assembled.

Assembly Instructions

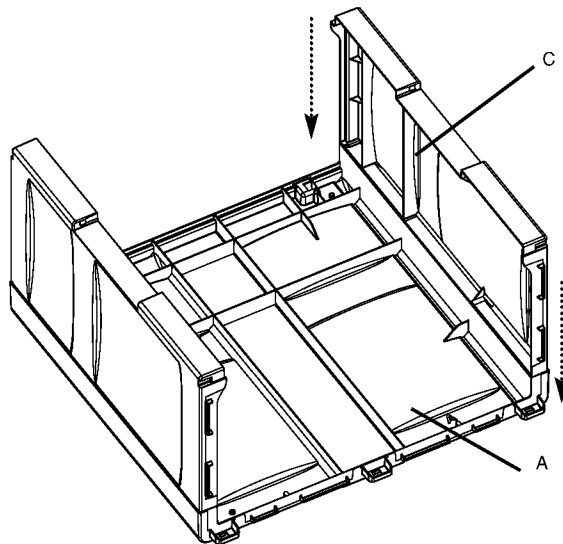
1. Place Back Panel A on flat surface, ribbed side up.



2. Place tab of Side Panel B into corresponding holes on Back Panel A and apply pressure to snap in place.

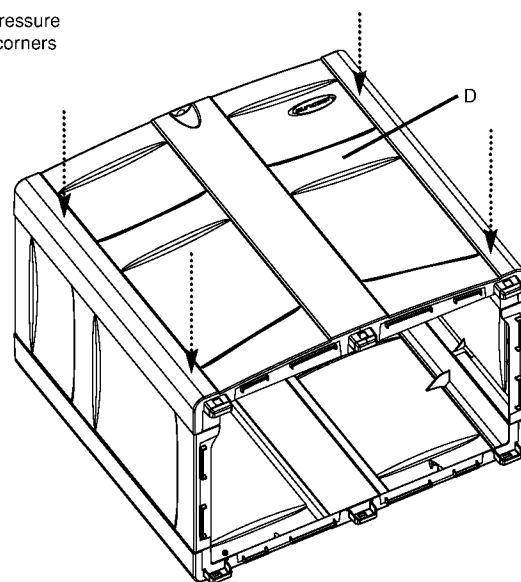


3. Place tabs of Side Panel C into corresponding holes of Back Panel A and apply pressure to snap into place.



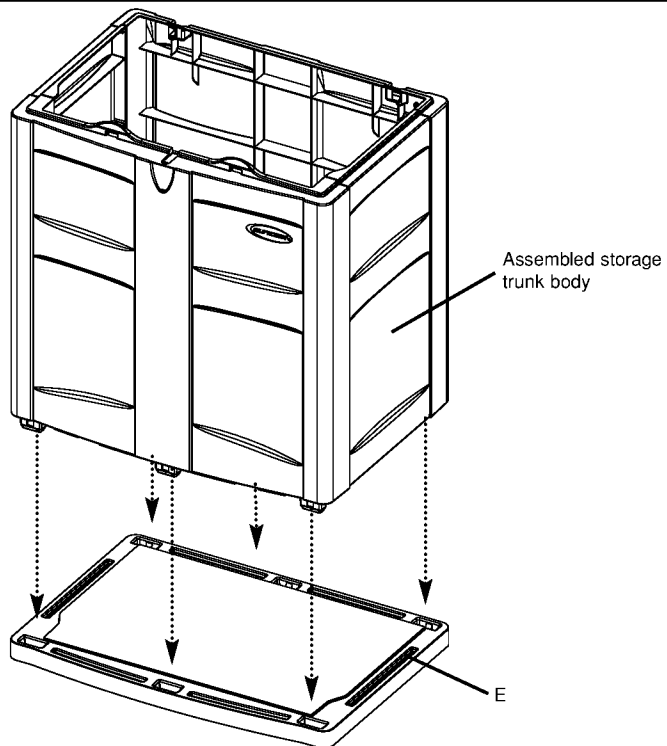
4. Place tabs of Side Panels B and C into corresponding holes of Front Panel D. When Front Panel D is in place apply pressure to four corners to snap into place.

Apply pressure
to four corners

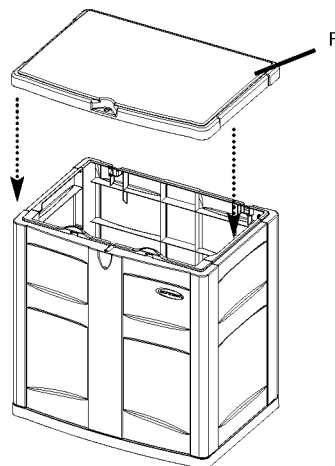


5. Set the assembled storage trunk body on top of Bottom Panel E by lining up the tabs with the corresponding holes. Once all tabs are correctly aligned, push the storage trunk body down to fully engage snaps.

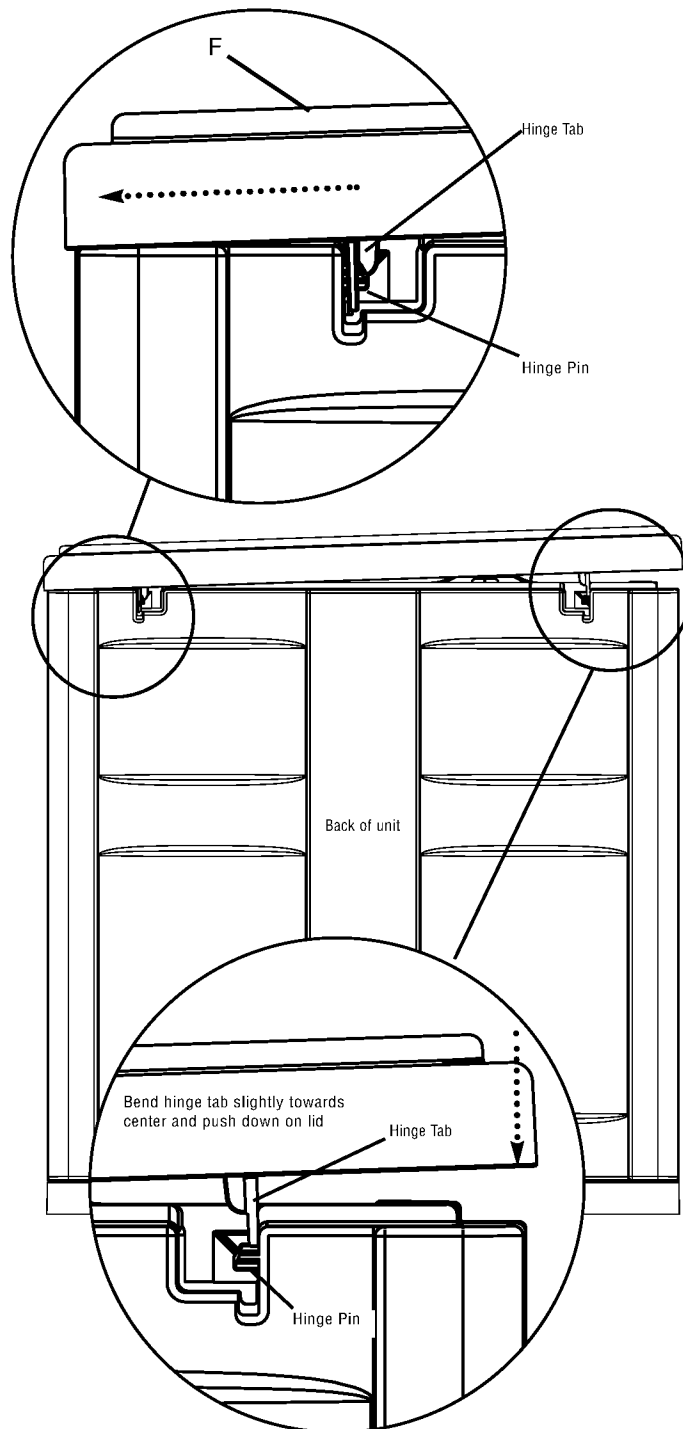
When complete, verify all connections are secure.



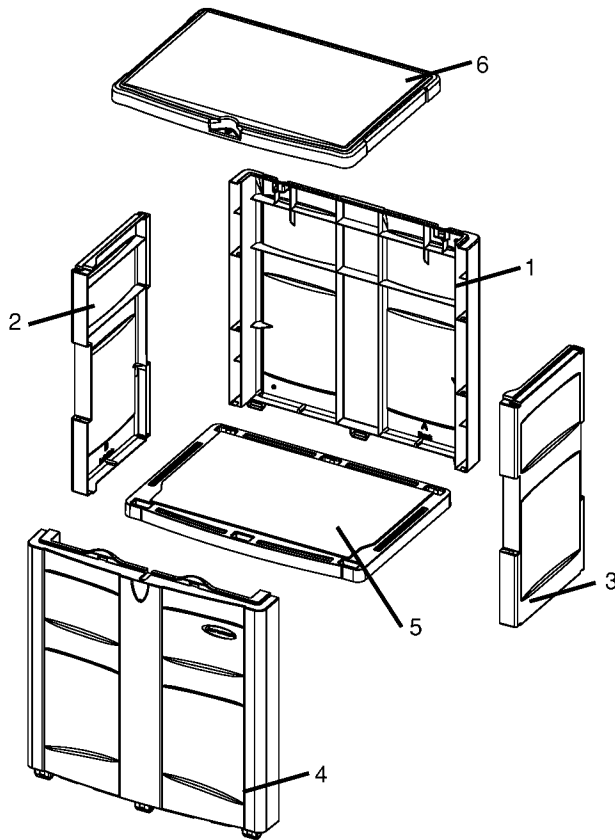
6. Lid must be lowered into place in closed position before hinges can be engaged in steps 7 and 8.



7. Working from the back of the unit, position Lid F in the closed position as shown. Slide the Lid sideways so that one hinge hole in the hinge tab engages with hinge pin on the Back Panel.



8. While bending the other hinge tab slightly towards the middle of the Lid, push down firmly on the Lid until the hole in the hinge tab engages with the hinge pin.



Please provide this information.

Name _____
 Street _____ City _____
 State _____ Zip Code _____
 Phone _____ Date _____

Place of Purchase: _____

Quality Control No. _____

C2900 / DB2900

Ordering Instructions

1. Call Suncast for pricing information call 800-846-2345 or 630-879-2050. Monday - Friday 8:00 am - 4:30 pm Central Time. (Except holidays) Or see www.suncast.com
2. Completely fill out address. Print Clearly.
3. Add Shipping and Handling to Total Cost. (Illinois residents add 6.75% sales tax.)
4. Send complete form with check or money order to Suncast Corp.
5. No C.O.D. Orders will be accepted.

Index No.	Part Name	Part No	Cost Each	Qty. Ord.	Total Cost
1	BACK PANEL (1)	010146918			
2	LEFT SIDE PANEL (1)	010147118			
3	RIGHT SIDE PANEL (1)	010148418			
4	FRONT PANEL (1)	010147218			
5	BOTTOM PANEL (1)	010147318			
6	LID (1)	010147018			
SUB TOTAL:					
IL RESIDENTS ADD 6.75% TAX:					
SHIPPING & HANDLING:					
<input type="checkbox"/> CHECK ENCLOSED <input type="checkbox"/> MONEY ORDER ENCLOSED					
TOTAL:					