

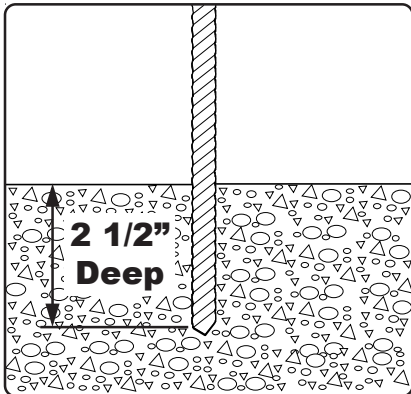
# Hilti Concrete Anchor Kit For Homestead Storage Building

These Hilti Anchoring Bolts are the only bolts approved by Miami-Dade County, Florida to secure the Homestead Storage Building to a concrete slab. To meet Miami-Dade County, Florida approval these Hilti Bolts must be used. Use of any other anchor bolts is not approved by Miami-Dade County.

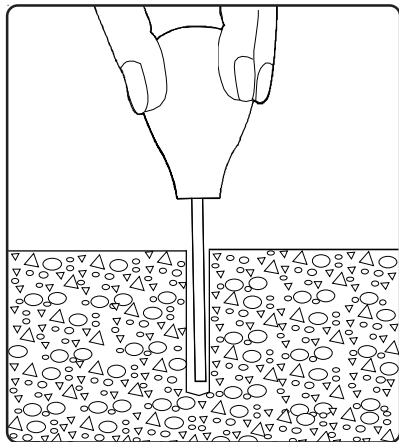
## ***Hilti Miami-Dade County Acceptance #93-0224.04***

1. A Concrete Slab Foundation must be constructed as described in the Homestead Manual on Page 3.
2. Anchor Bolt locations must be determined as described in the Homestead Manual on Page 12.

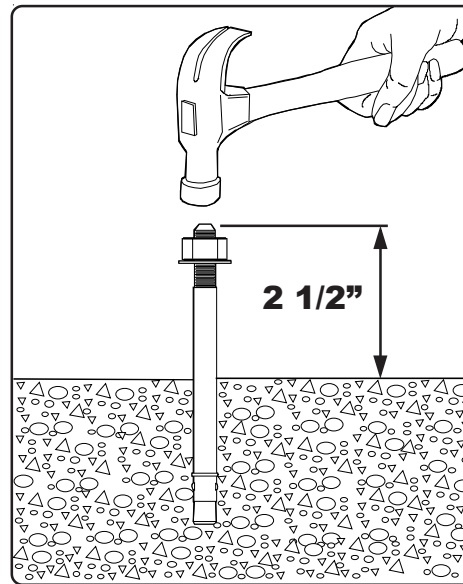
3. Drill  $\frac{3}{8}$ " holes  $2\frac{1}{2}$ " deep



4. Clean holes

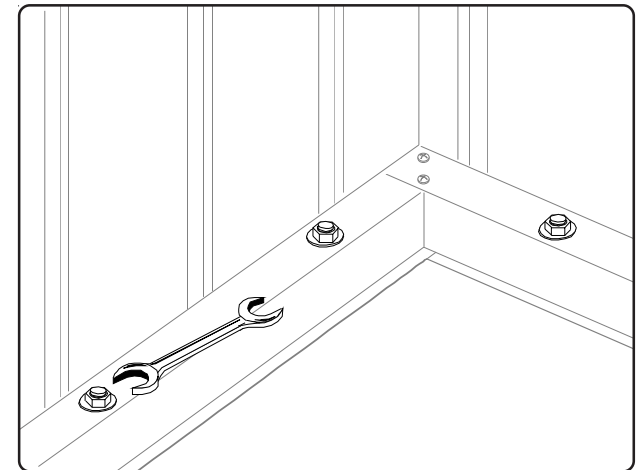


5. Drive the Kwik Bolt II  $2\frac{1}{2}$ " into the holes so that  $2\frac{1}{2}$ " is above the top surface of concrete.



6. Assemble the Storage Building as described in the Homestead Manual. **DO NOT fasten down Floor Frames until Building is assembled.**

7. Anchor down the Storage Building as described in the Homestead Manual. Tighten 2 or 3 turns from the finger tight position to achieve proper anchor setting.



DCAK 65 697.60295	Homestead 65
DCAK 108 697.60296	Homestead 108