

MODELS: ALPHA 1GT; 2GT; 3GT; 3GTR/L
 5GT; 5GTR/L; 6GT

Brewing the richest,
 most consistently flavorful
 coffee just got
 a whole lot easier.

ITEM NO _____

PROJECT _____

DATE _____



G3
GENERATION
THREE

Find the latest on the web at
www.BettyMills.com

The new Curtis G3 system. Beyond revolutionary, it's evolutionary.

Curtis G3 Coffee Brewing Systems are years ahead. These new G3 Systems share many of the proven designs of the Alpha platform, but deliver greater precision, more advanced control, quality enhancing features and profit potential than other brewers on the market today.

At the center of the new G3 system is its unique Universal Control Module – UCM. This brewing “brain” is completely encapsulated in a high-tech polymer case, protecting it from harmful heat, moisture and impact which could damage earlier systems. G3 Systems feature an oversized irradiant LCD display and intuitive graphic interface front panel. Combined, they make the G3’s “scroll-through” programming incredibly easy. Of course, there’s no need to adjust the system, should you opt for Curtis’ pre-programmed factory settings. Just supply a level counter, power and water, and you’re ready to brew.

Curtis G3 Systems include a host of new standard features including digital temperature control, brew-by-volume control, pre-infusion and pulse brew technology, preventative maintenance alert system, cold water brew lock-out, quality freshness timers, and much more. Each feature has been incorporated to provide the ultimate in the tuning and extraction of coffee flavor and brewing excellence. The result, coffee which keeps customers – and profits – coming back for more.



FEATURES AT A GLANCE

- **G3 ADS™ Digital Control Module (G3/ADS™)** – Encapsulated in high-tech polymer. Impervious to heat, steam and moisture. Provides precise control over all critical functions.
- **Factory Set** – For out-of-the-box operation.
- **Curtis’ Exclusive G3 3-Year Warranty** – Provides 3 full years of protection on the digital control components.
- **Intuitive Scroll-Through Precision Programming** – Large, brightly lighted display communicates functions at a glance. Easily adjust time, volume, temperature, brew functions and more.
- **Tamper Resistant** – Changeable access code prevents unauthorized adjustment.
- **Easy-to-Operate** – Simple graphic design with color-coded buttons for all operating functions.
- **Saves Operating Costs** – Energy save mode automatically reduces energy consumption when brewer is idle.
- **On-Board Self Diagnostics** – G3 continually senses proper brewing operation. A Service Phone Number and error code will be displayed in the rare event technical assistance is required... reducing downtime
- **Programmable Display Banner** – Can be set to display your operation’s name and message.
- **Integral Quality Timer and Automatic Warmer Shut-Off** – Keeps coffee quality at its peak.
- **Built-In Fine Tuning Brewing Modes** – Pre-infusion or pulse brew enhances extraction of gourmet coffee flavor. Cold water brew lock-out prevents brewing when water temperature is below set level.
- **Standard 120VAC Operation** – Makes installation quick and simple.
- **Options** – 2-1/2” adjustable plastic legs; 4” adjustable stainless steel legs.

Specifications	Finished Brew Capacity	Dimensions (HxWxD)	Voltage	Power Requirements	Cord & Plug	Water Source	Shipping Wt. (lbs.)	Cube (cu. ft.)
Alpha-1GT	12 Cups/Brew	17.1” x 9.0” x 16.5”	120V/60Hz	1600W/13A	6 ft./NEMA 5-15P	1/4” Male Flare	30 lbs.	2.8
Alpha-2GT	12 Cups/Brew	17.6” x 9.0” x 16.5”	120V/60Hz	1700W/14A	6 ft./NEMA 5-15P	1/4” Male Flare	30 lbs.	2.8
Alpha-3GT	12 Cups/Brew	19.1” x 9.0” x 16.5”	120V/60Hz	1800W/15A	6 ft./NEMA 5-15P	1/4” Male Flare	30 lbs.	2.8
Alpha-3GTL/3GTR	12 Cups/Brew	17.1” x 15.8” x 16.5”	120V/60Hz	1800W/15A	6 ft./NEMA 5-15P	1/4” Male Flare	36 lbs.	2.8
Alpha-5GTL/5GTR	12 Cups/Brew	19.1” x 15.8” x 16.5”	120V/60Hz	2000W/16.3A	Not Furnished	1/4” Male Flare	55 lbs.	4.1
Alpha-5GT	12 Cups/Brew	17.1” x 22.5” x 16.5”	120V/60Hz	2000W/16.3A	Not Furnished	1/4” Male Flare	43 lbs.	4.1
Alpha-6GT	24 Cups/Brew*	17.1” x 31.5” x 16.5”	120V/60Hz	3600W/30A	Not Furnished	1/4” Male Flare	68 lbs.	5.6

*12 per head

Alpha-1GT



Alpha-2GT



Alpha-3GT



Alpha-3GTR
(also available as
LH version)



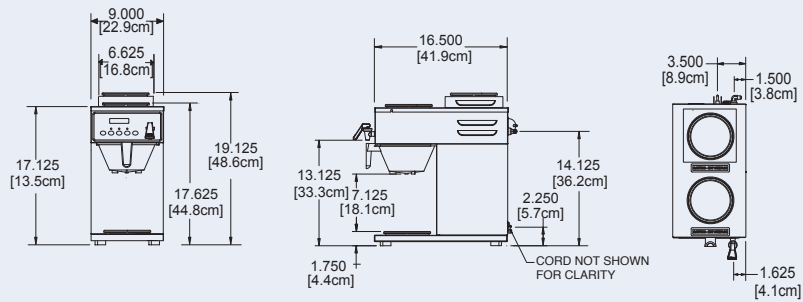
Alpha-5GTR
(also available as
LH version)



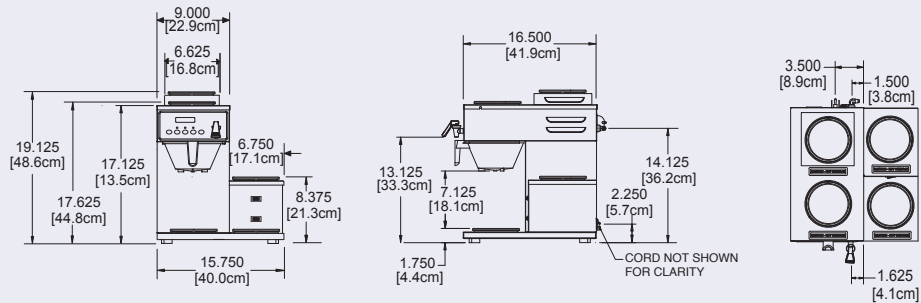
Alpha-5GT



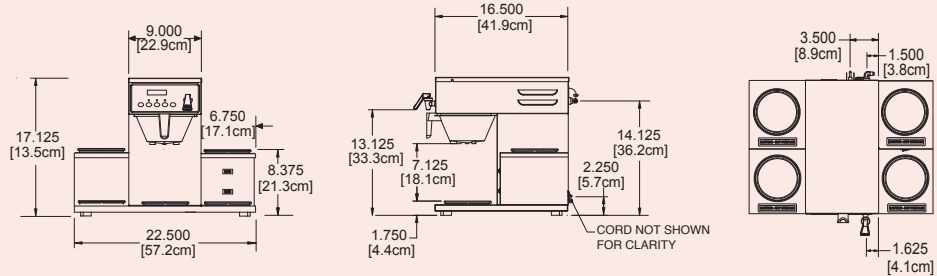
Alpha-1GT
Alpha-2GT
Alpha-3GT*
(*shown)



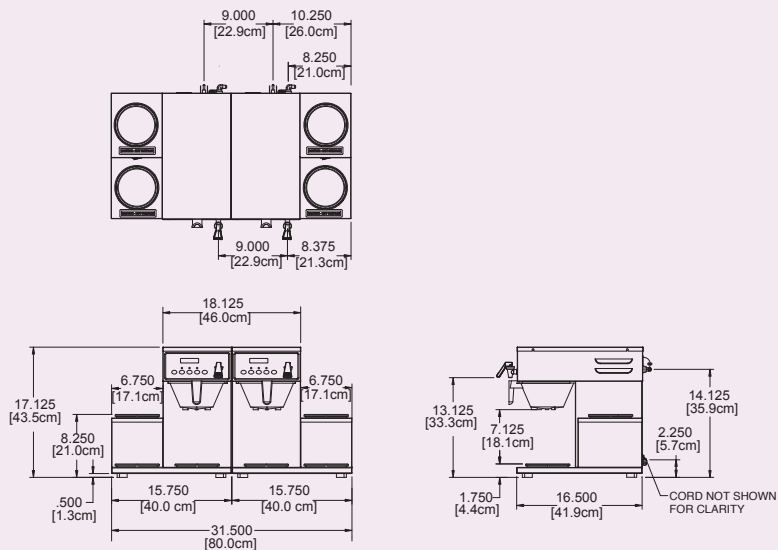
Alpha-3GTL
Alpha-3GTR
Alpha-5GTL
Alpha-5GTR*
(*shown)



Alpha-5GT



Alpha-6GT



THE Betty Mills
COMPANY
Fast & Friendly Service is our Business

The Betty Mills Company
2121 El Camino Real
Suite D-100
San Mateo, CA 94403
800.238.8964



Find the latest on the web at
www.BettyMills.com