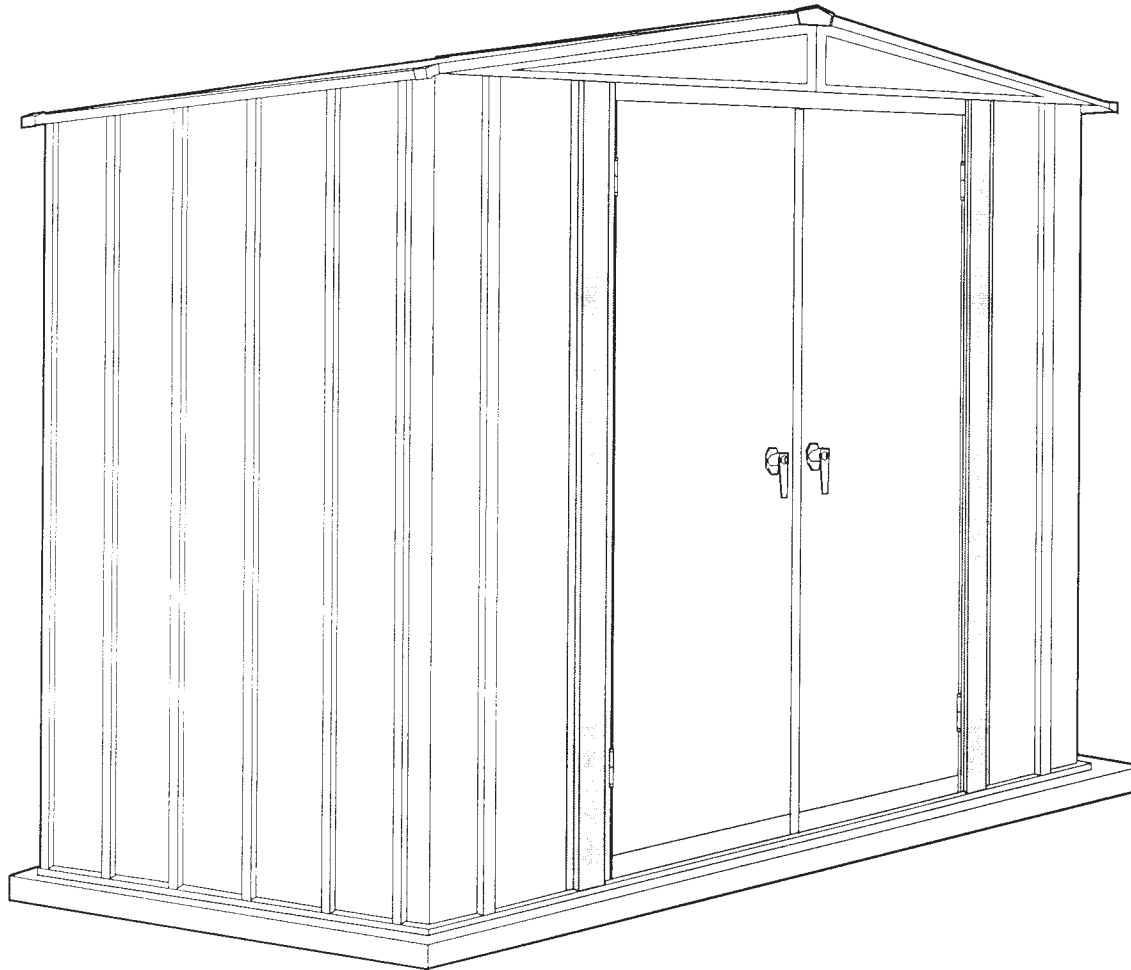


Assembly Manual



HS 65 697.68405

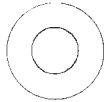


710761298

Building Dimensions:											
Approximate Size	Foundation Size	Storage Area		Exterior Dimensions (Roof Edge to Roof Edge)			Interior Dimensions (Wall to Wall)			Door Opening	
		Sq. Ft.	Cu. Ft.	Width	Depth	Height	Width	Depth	Height	Width	Height
6' x 5'	75 1/4" x 58 1/4"	27	147	76 1/4"	59 1/2"	69 7/8"	71 1/4"	54 1/4"	68 5/8"	36 1/2"	58 1/2"

Hardware

Hardware included in hardware bags.



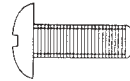
Washer
(Sheets)



#10 x 1/2"
Tap Screw



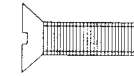
#10 - 32
Machine Nut



#10-32 x 7/16"
Machine Screw



#10 x 1"
Tap Screw

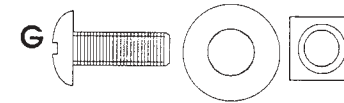
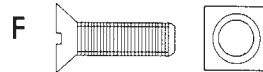
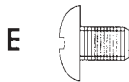
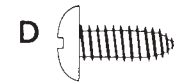
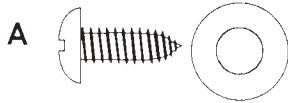


#10 - 32
Flat Head
Machine Screw

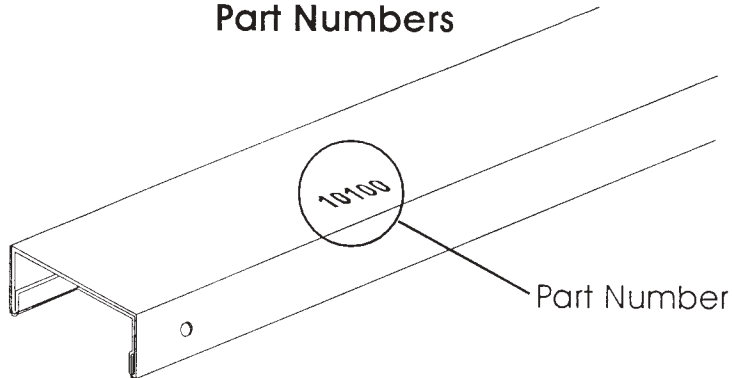


#8 - 32 x 1/4"
Machine Screw

Combinations of the hardware found in this manual.



Part Numbers



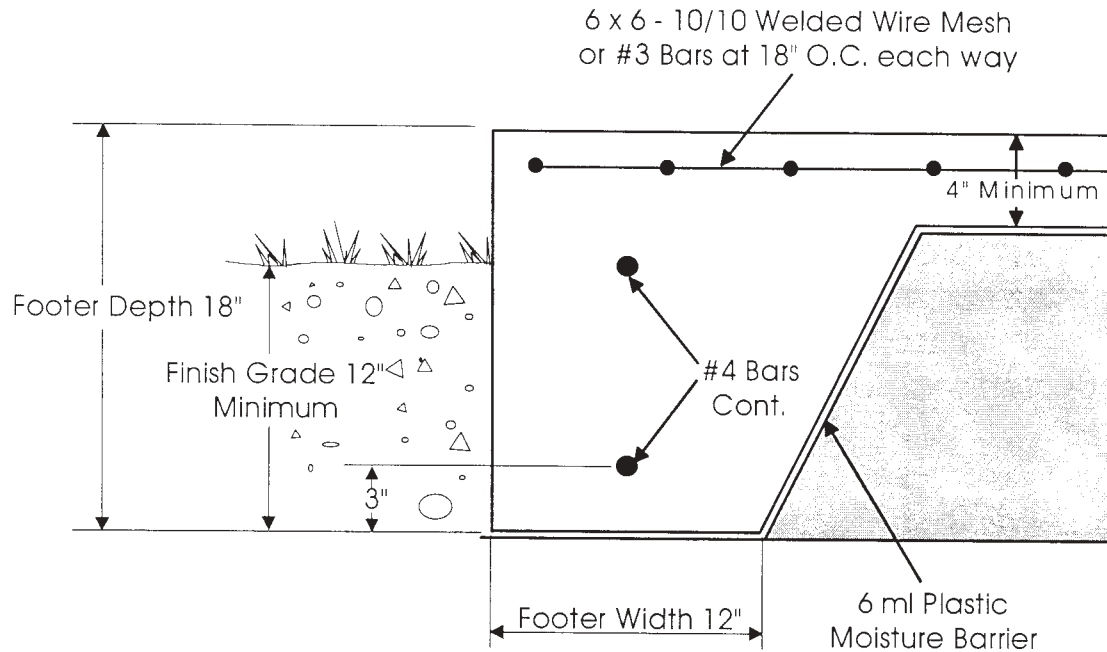
1. Parts are packed in order of assembly.
2. Each part has an identifying part number on it.
3. Part Numbers are referenced in each step.
4. Metal parts have a stamped in number & painted parts have a screened number.



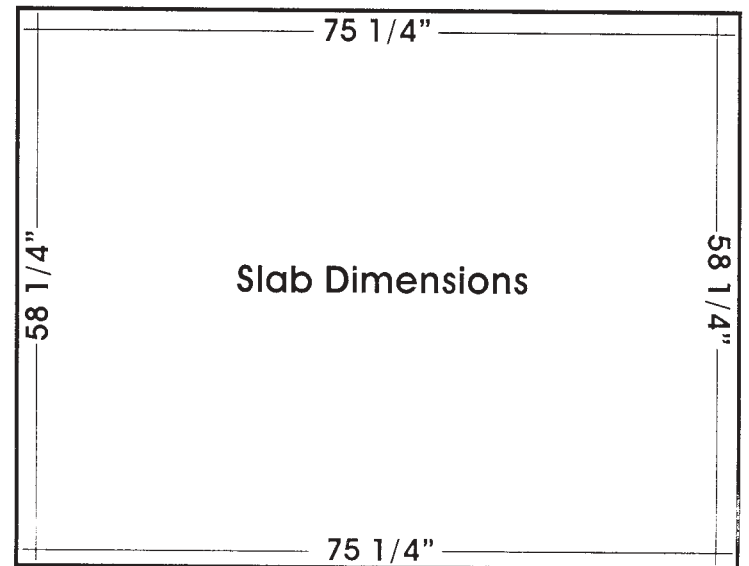
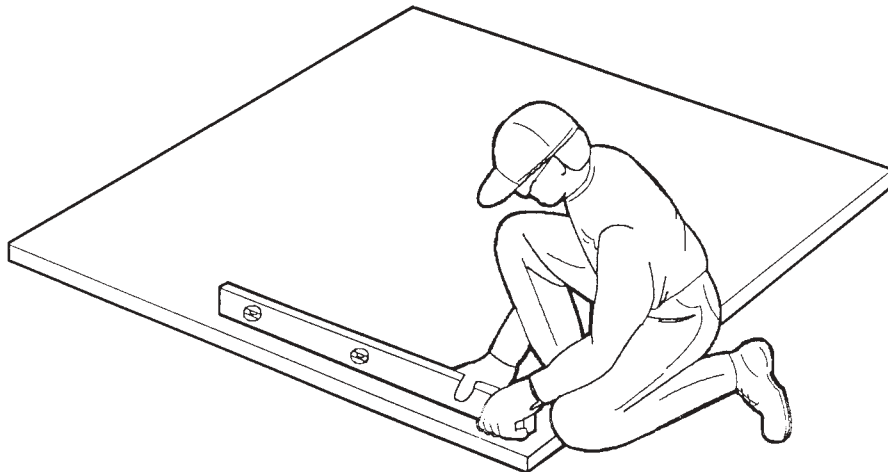
Foundation

Local building codes vary by region, refer to your local codes for specifications.

Concrete Slab Requirements



1. Select level site for building.
2. Remove soil for footers and slab.
3. Place 6 ml plastic over dirt.
4. Construct 2 x 4 form level and square.
5. Pour Concrete.

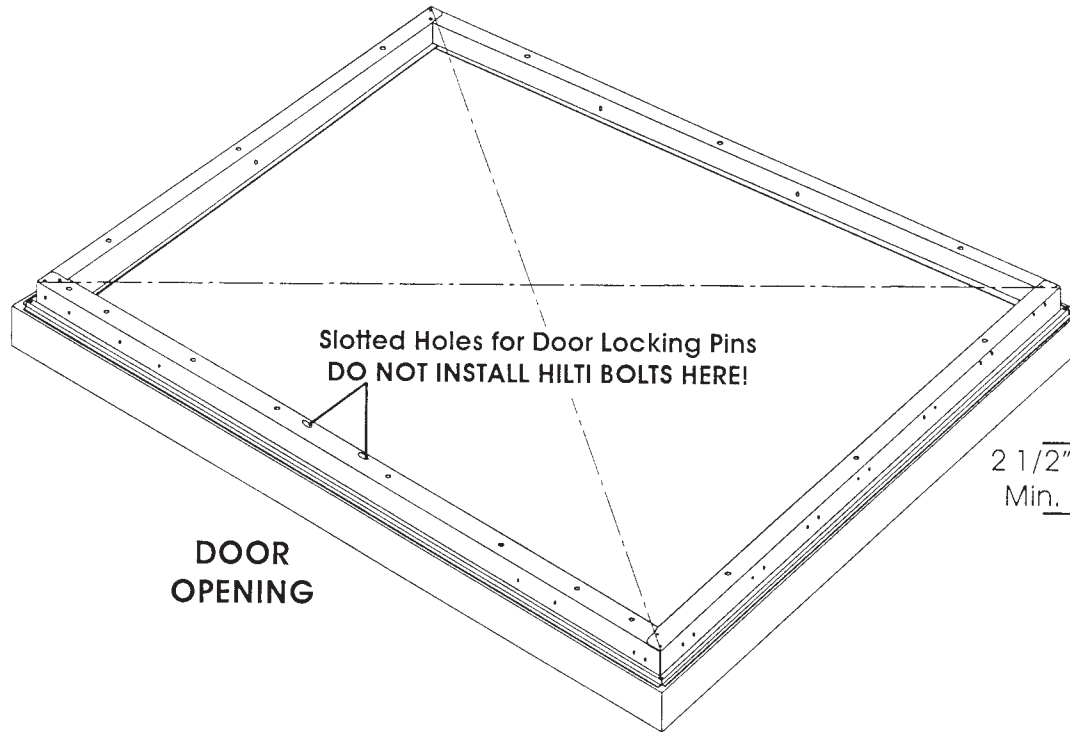
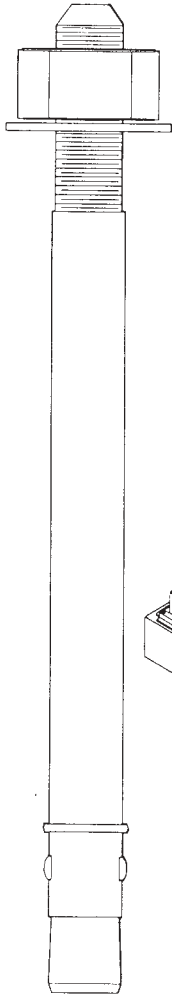


Step 1 Hilti Bolts

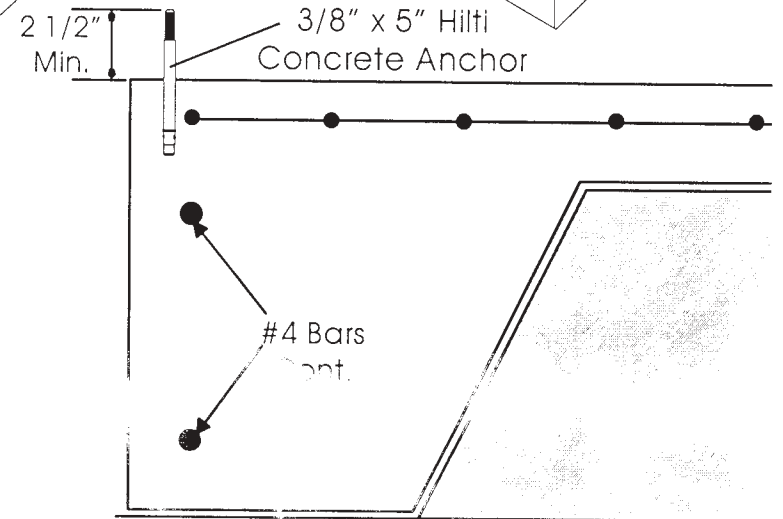
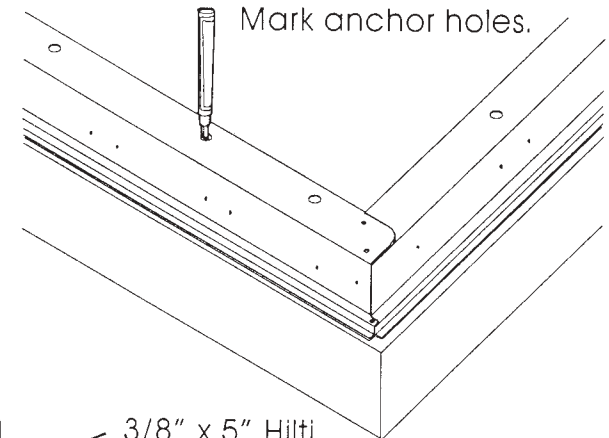


How to install Hilti Concrete Anchors Must use 3/8" x 5" Hilti Kwik Bolt II Metro Dade County Approval #93-0224.04 - NOT INCLUDED

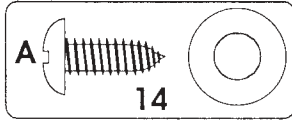
1. Lay Floor Frame together as if constructing, on top of concrete making sure it is square by measuring diagonally.
2. Mark Anchor Holes through top of Floor Frame.
3. Remove Frame pieces.
4. Drill anchor holes into concrete 2 1/2" deep.
5. Drive Hilti Anchor Bolts into concrete with hammer. (To protect threads place nut on Hilti Bolt before hammering. **NUT MUST BE REMOVED TO ALLOW ASSEMBLY OF BUILDING.**)



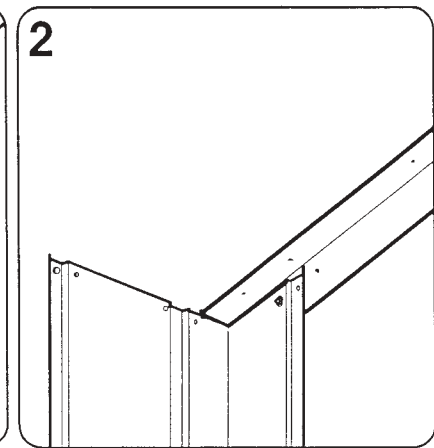
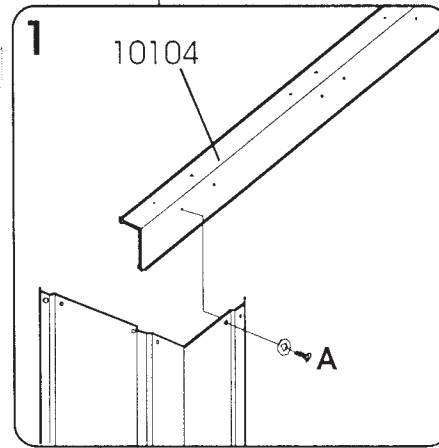
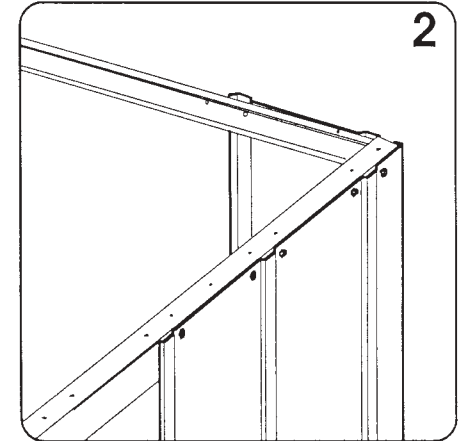
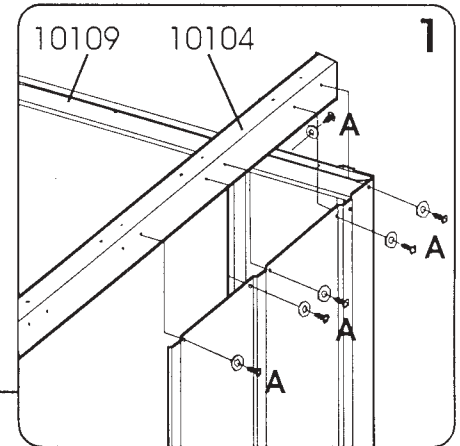
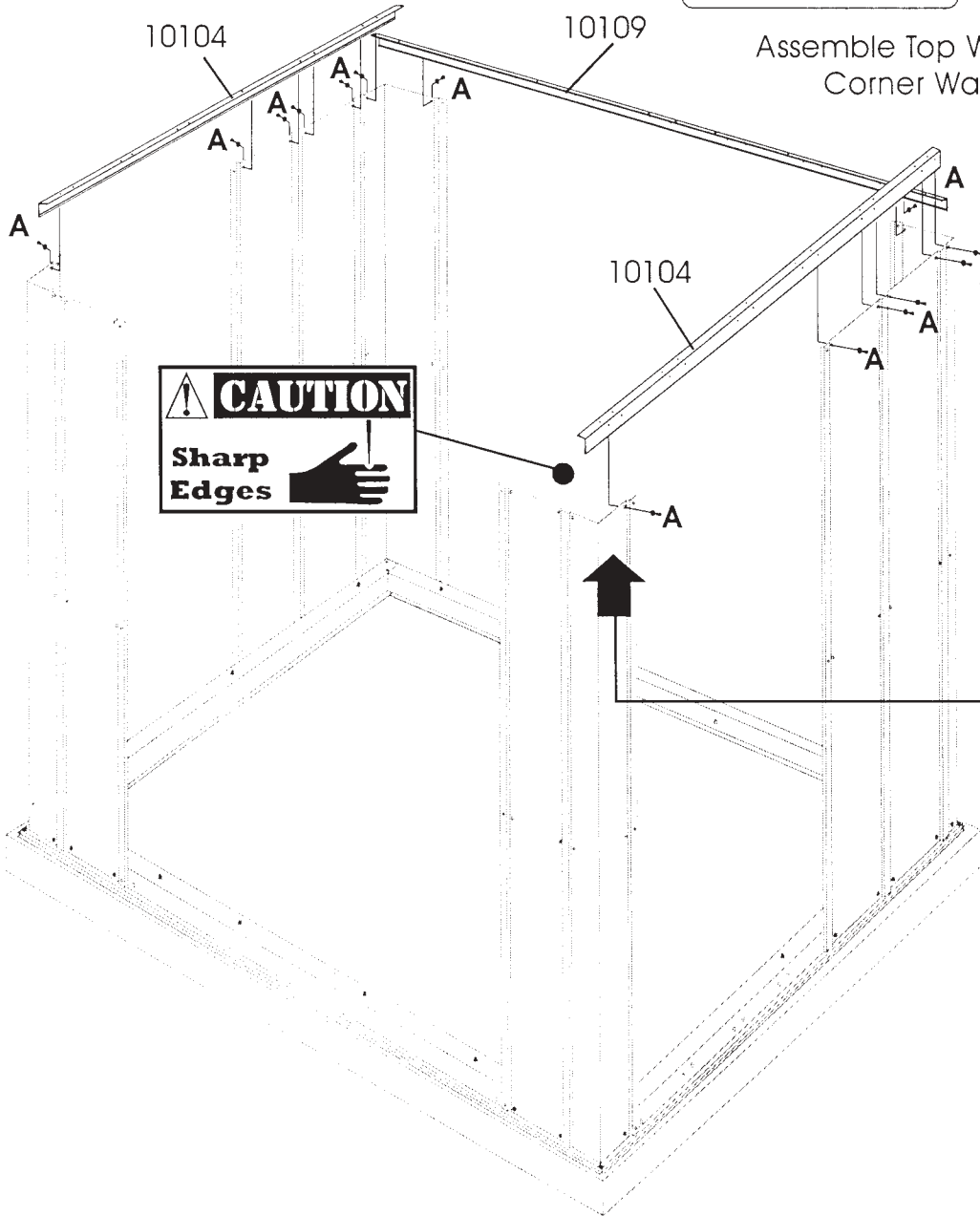
Lay Floor Frame together on concrete as if constructing.
Measure diagonally making sure frame is square.



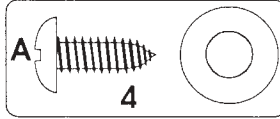
Step 4 Top Wall Angles



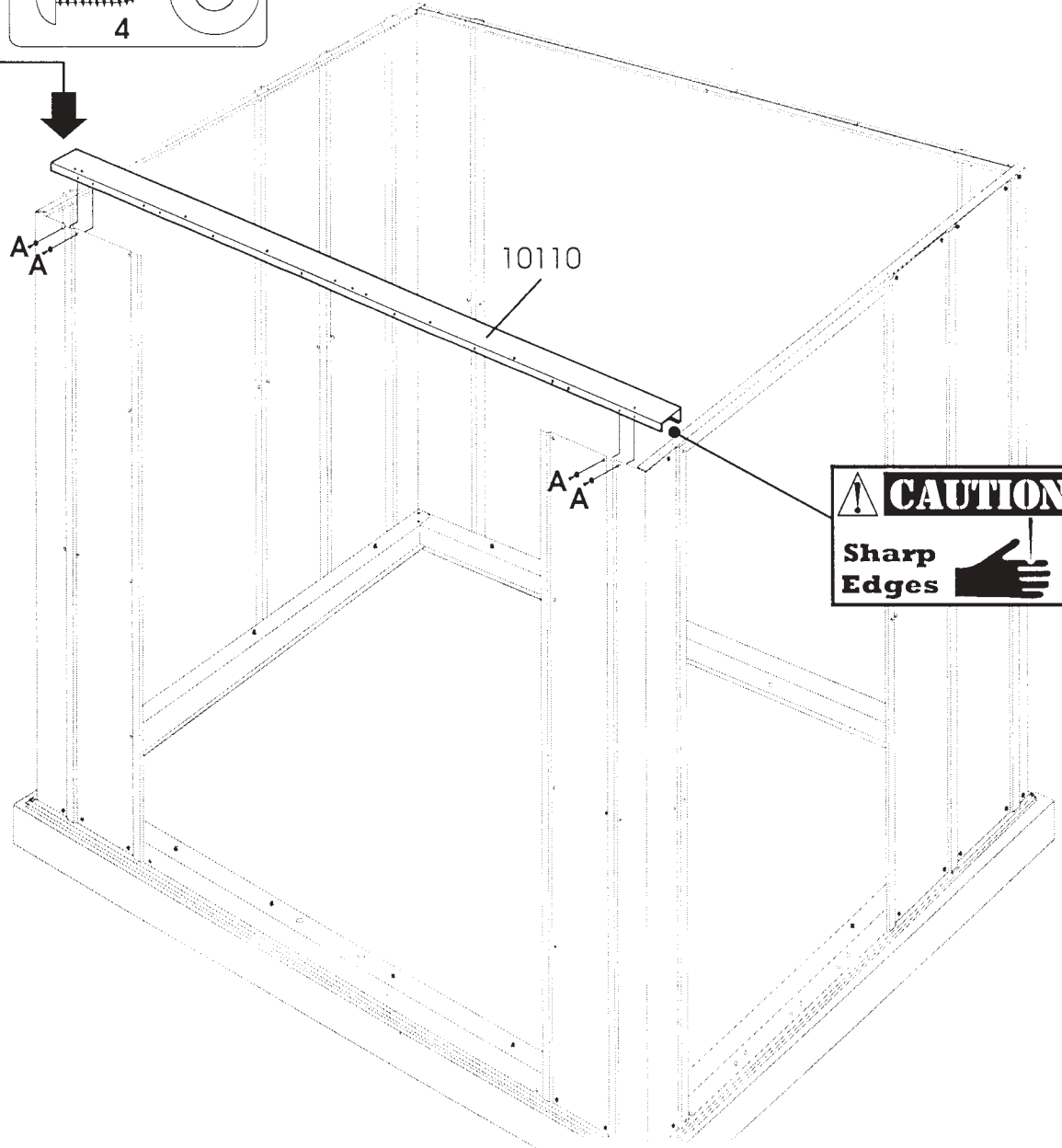
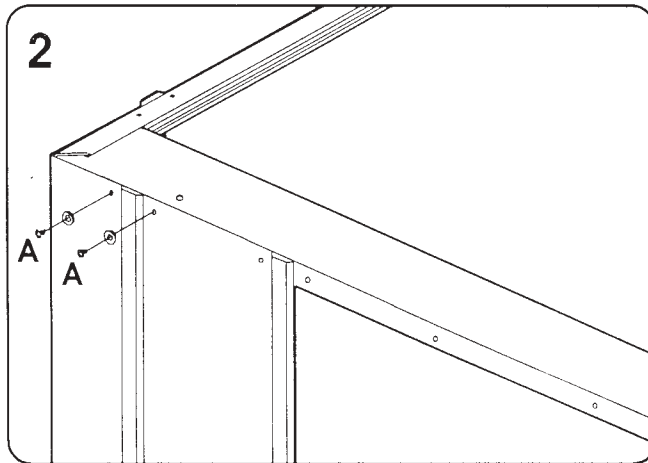
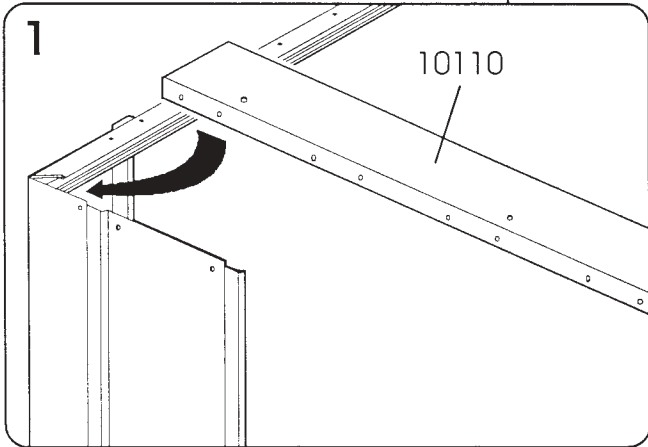
Assemble Top Wall Angles to Corner Wall Panels.



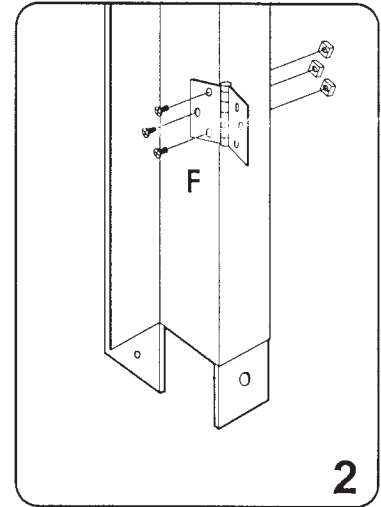
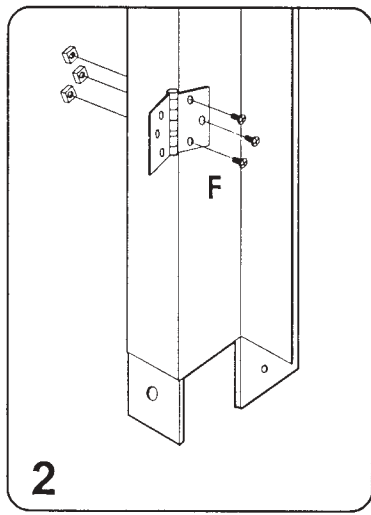
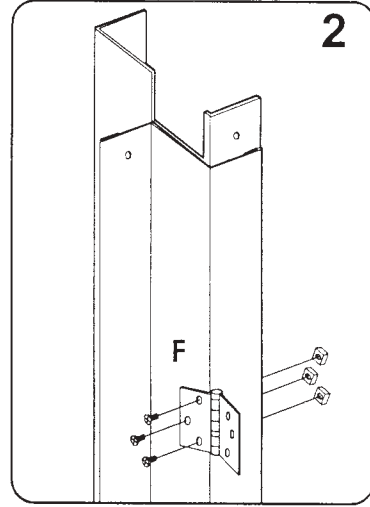
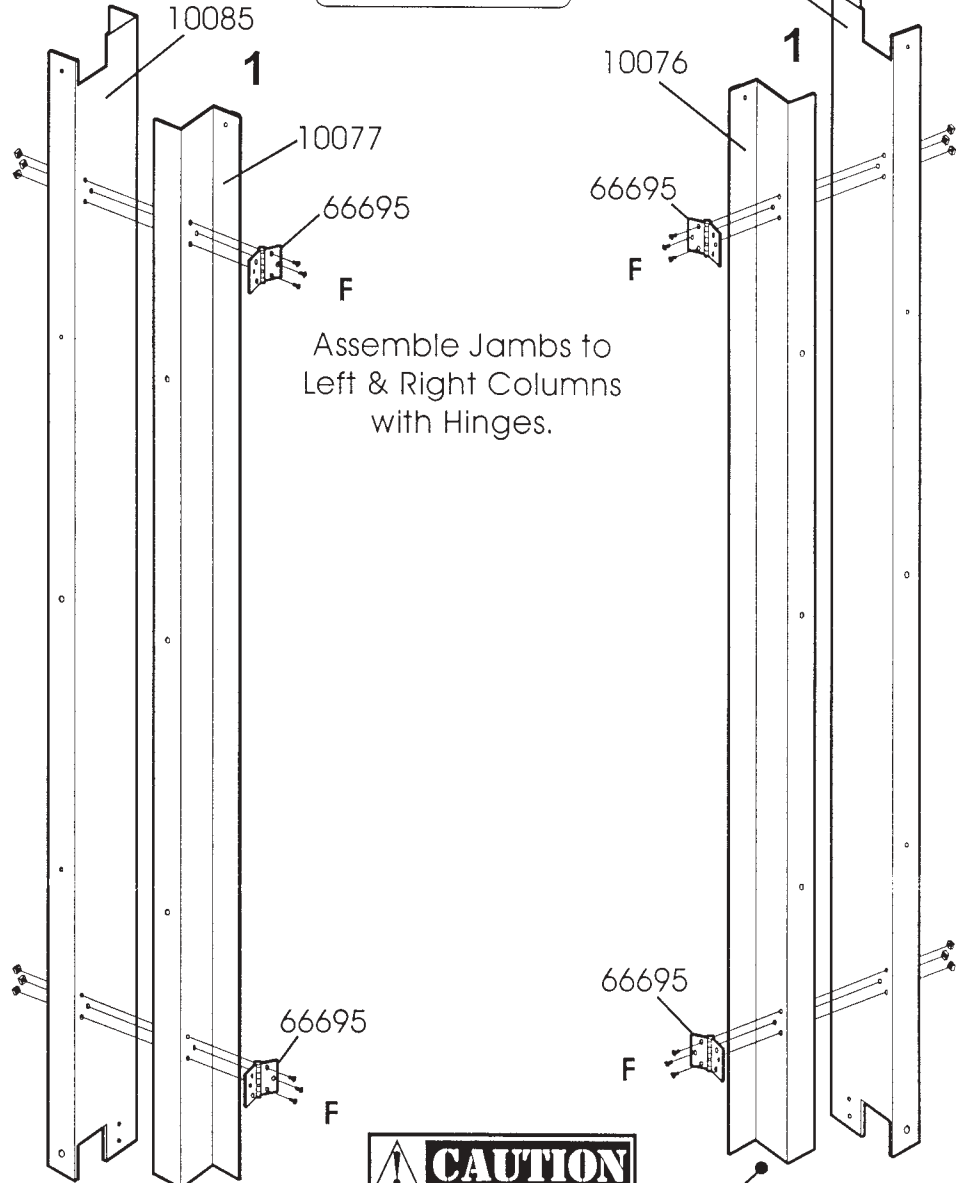
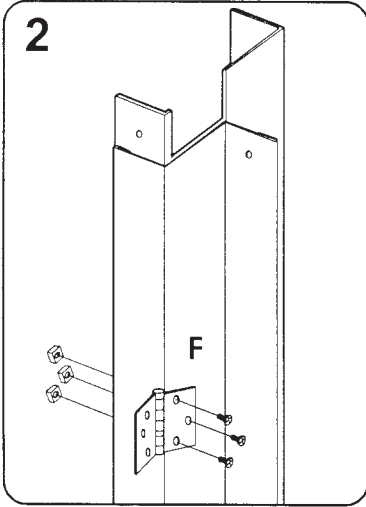
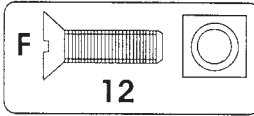
Step 5 Header Beam



Install Header Beam.

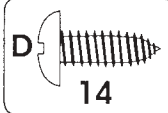


Step 6 Door Columns



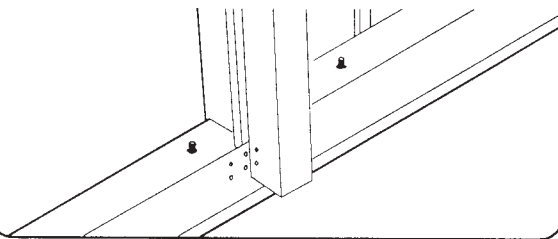
CAUTION
Sharp Edges

Door Columns Continued...

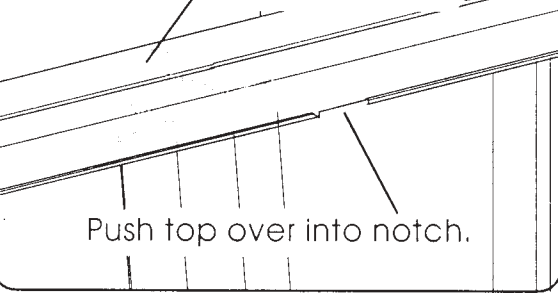


Assemble Door Columns to Header Beam & Floor Frame.

1 Angle top of Column Assembly toward center and set bottom of Column in place.

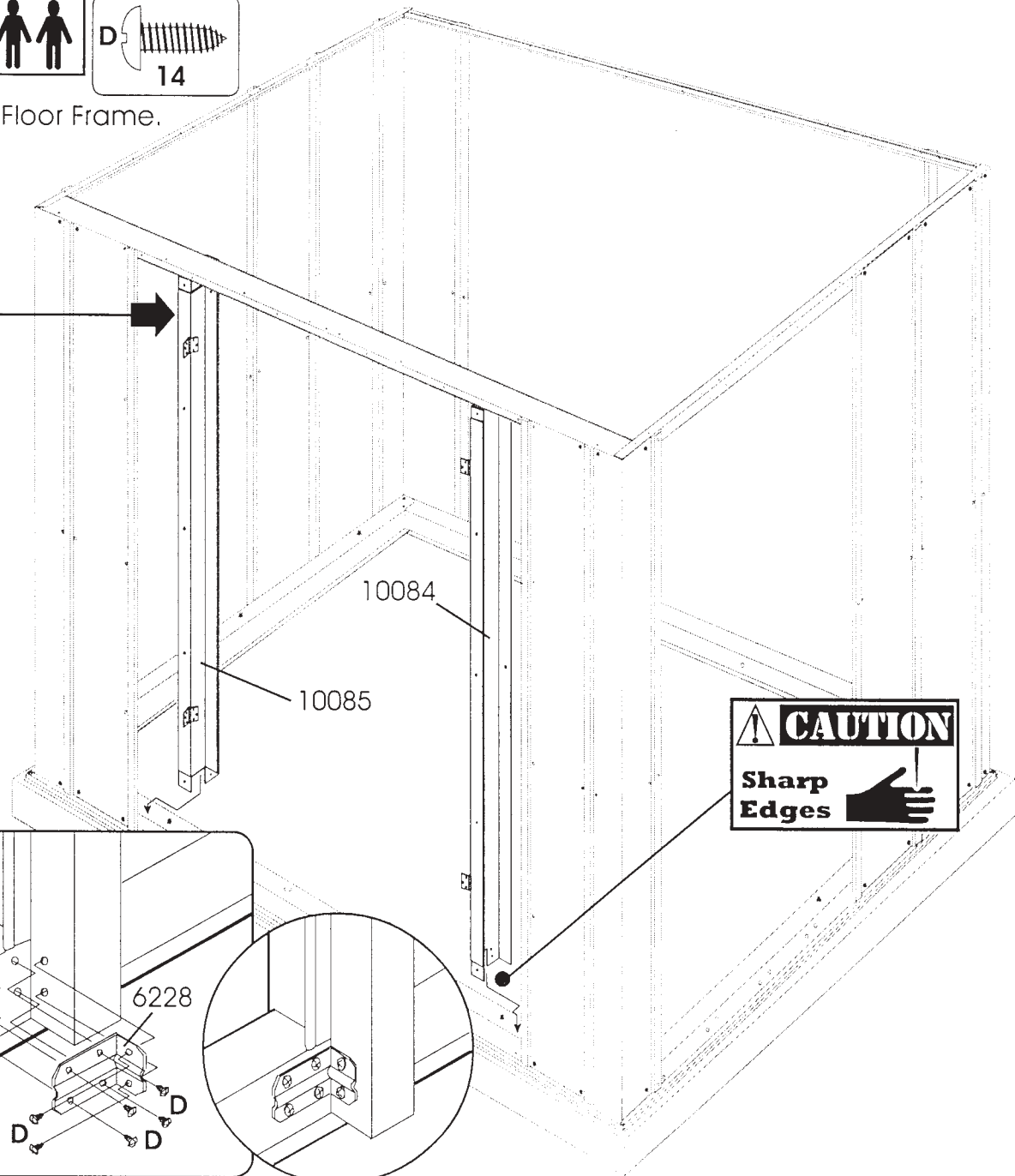
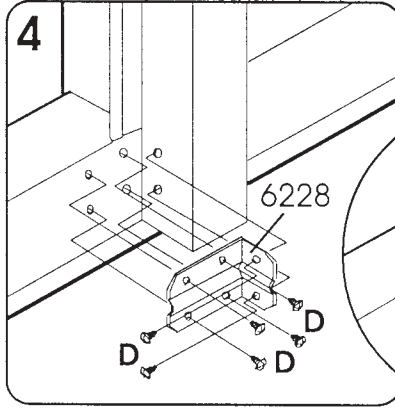
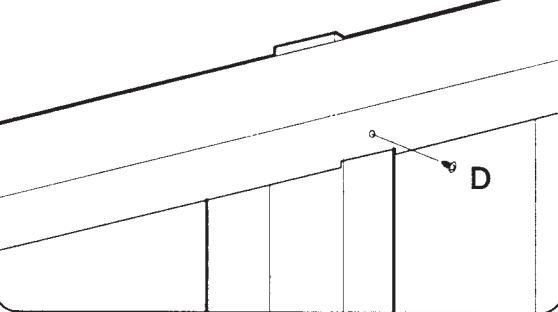


2 This side should be on outside of Header Beam.

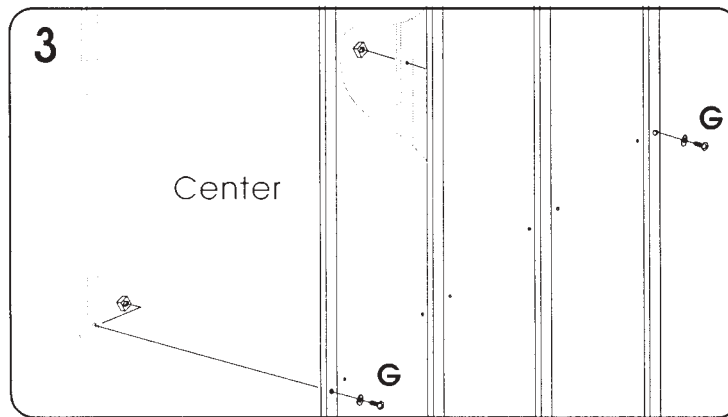
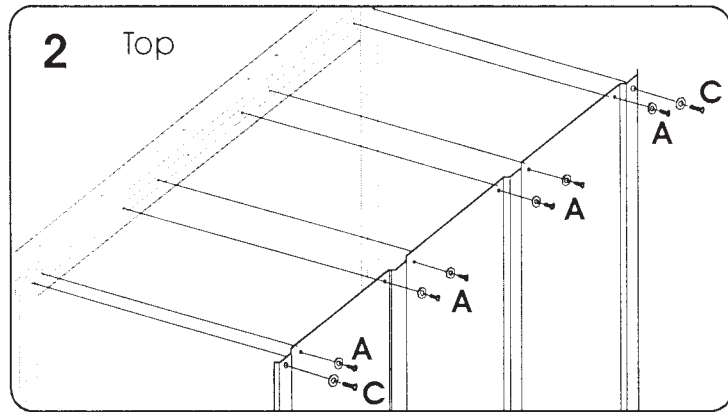
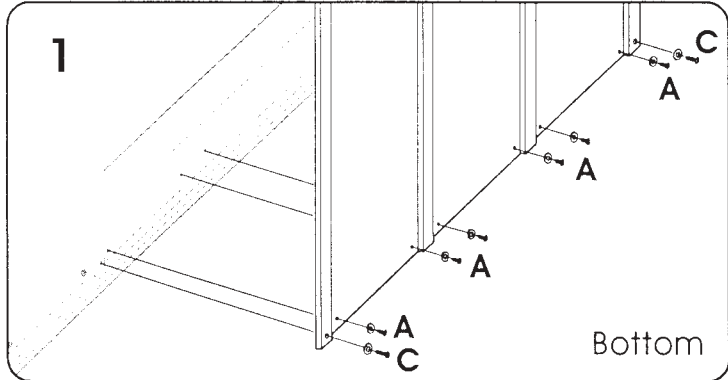
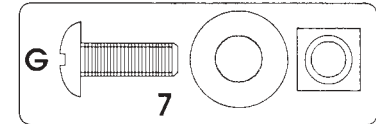
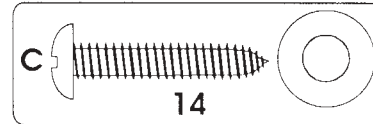
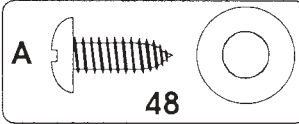


Push top over into notch.

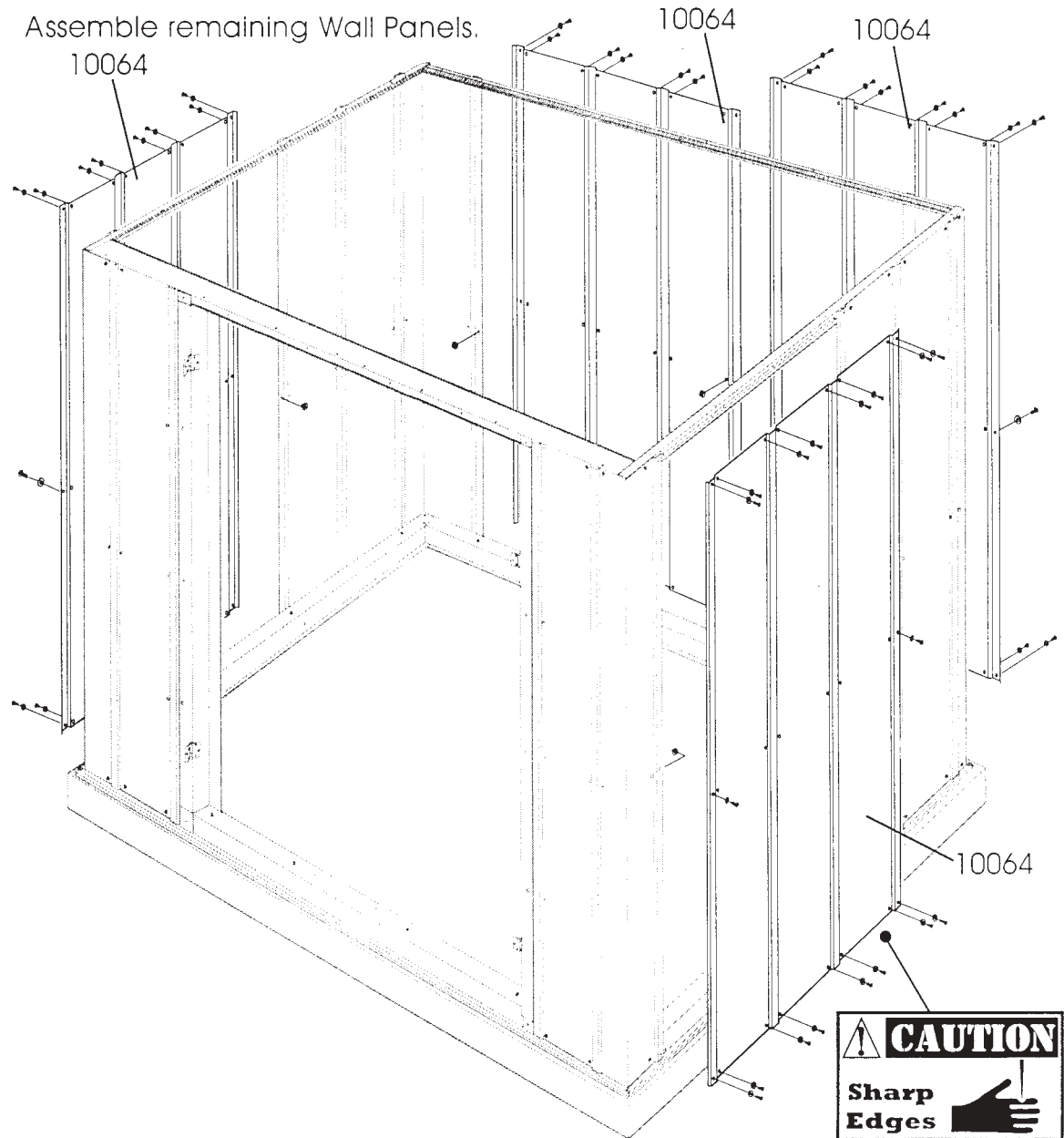
3 Fasten top.



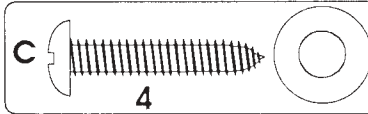
Step 7 Wall Panels



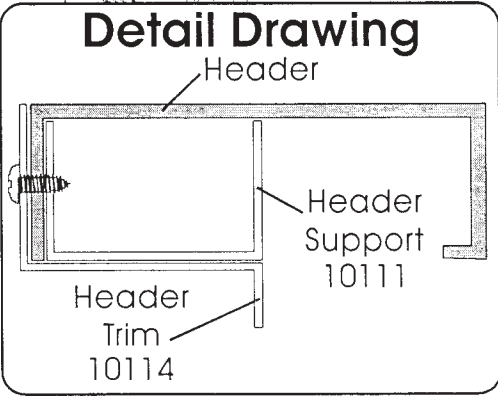
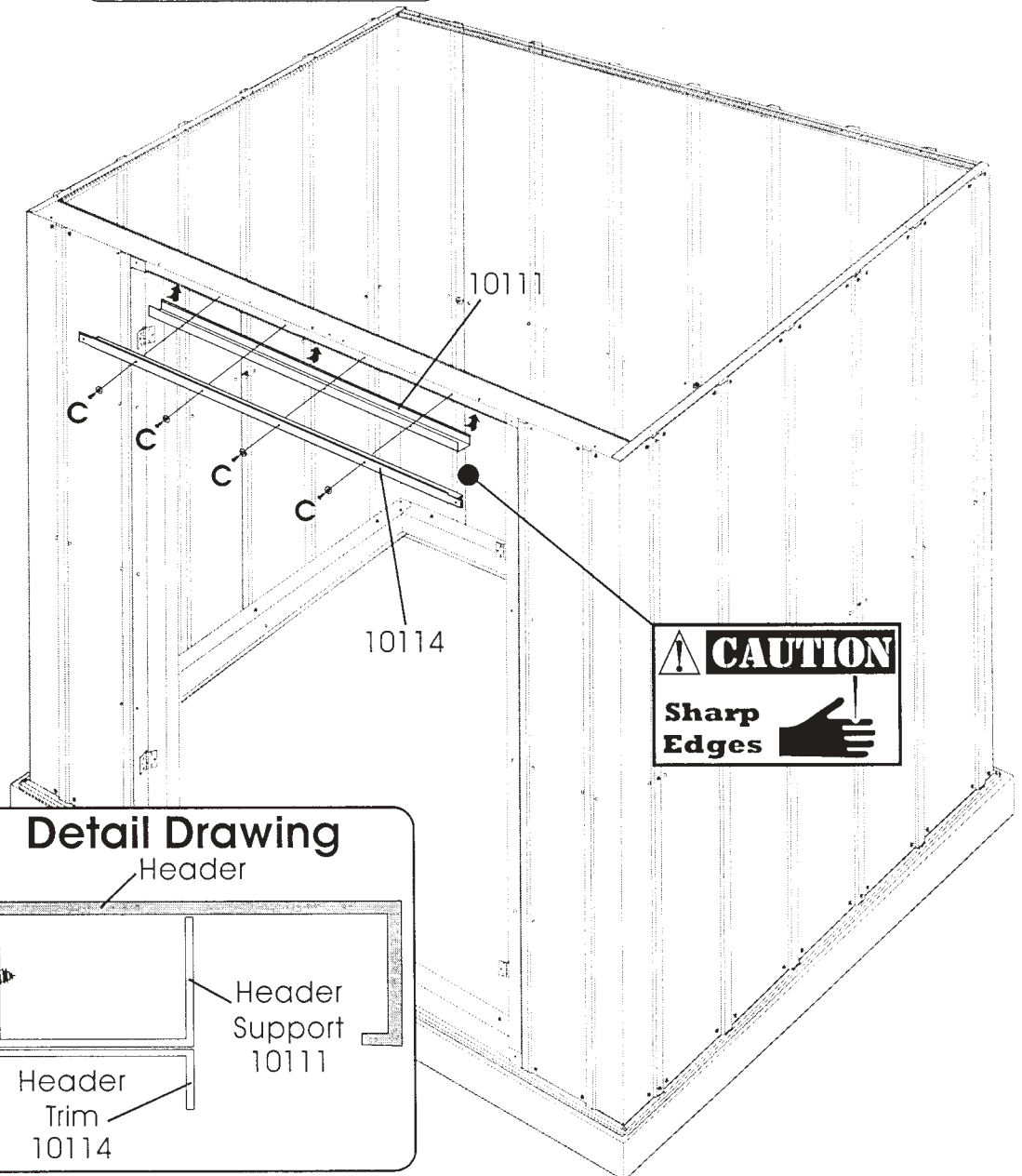
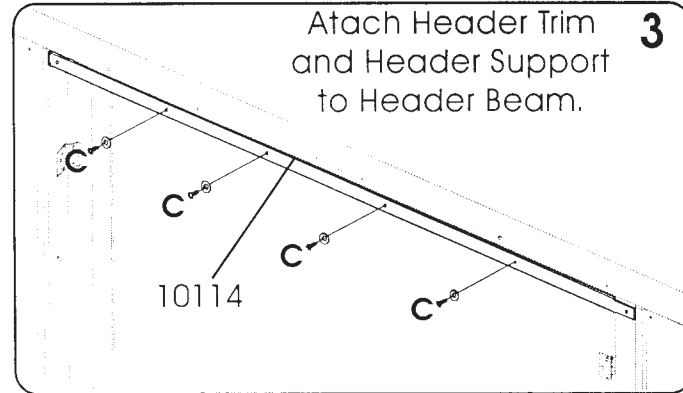
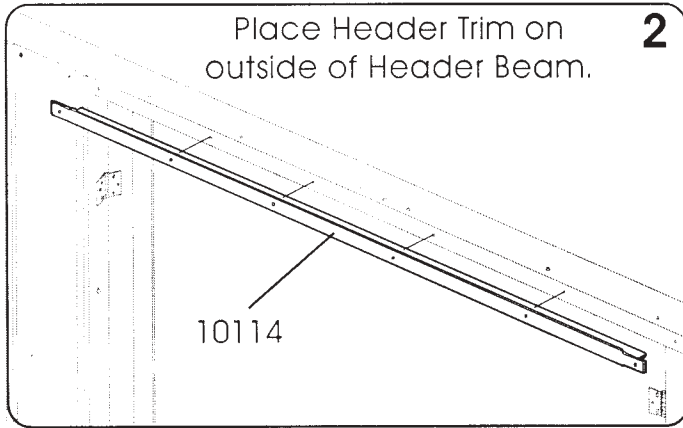
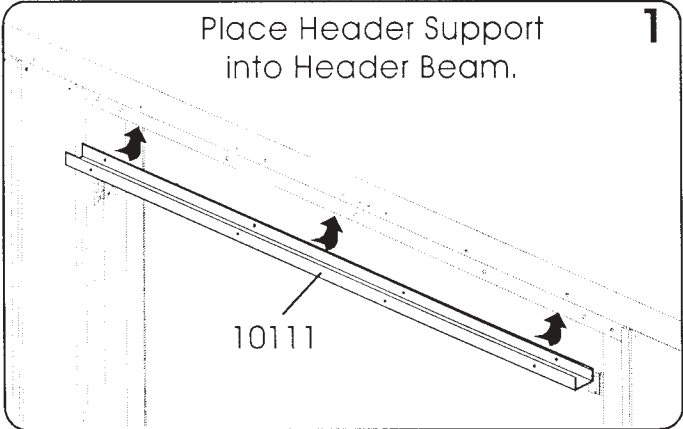
Assemble remaining Wall Panels.



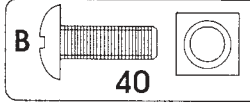
Step 8 Header Support & Trim



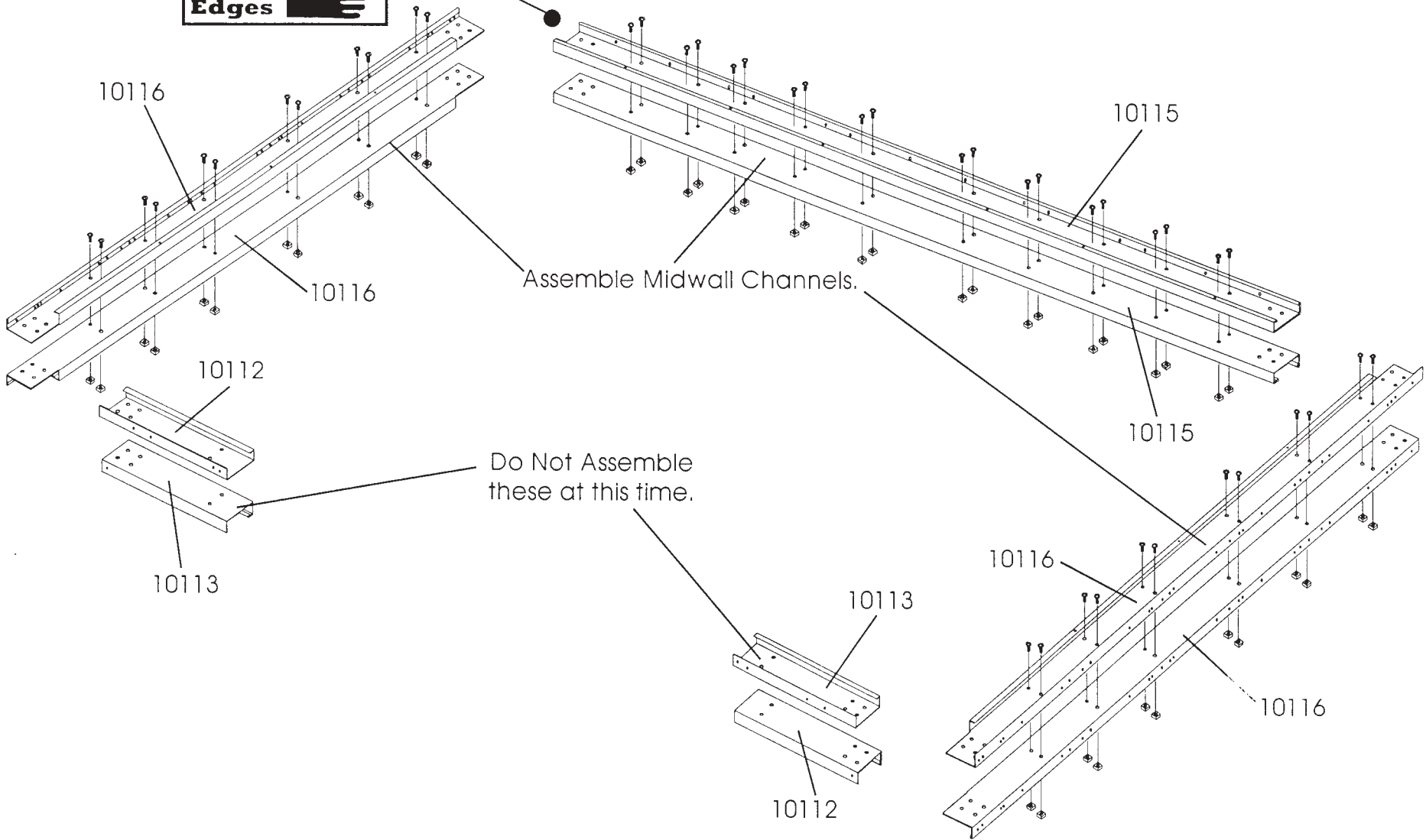
Assemble Header Support inside Header and attach with Header Trim.



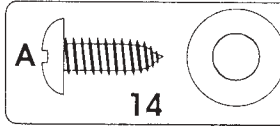
Step 9 Midwall Channel Assembly



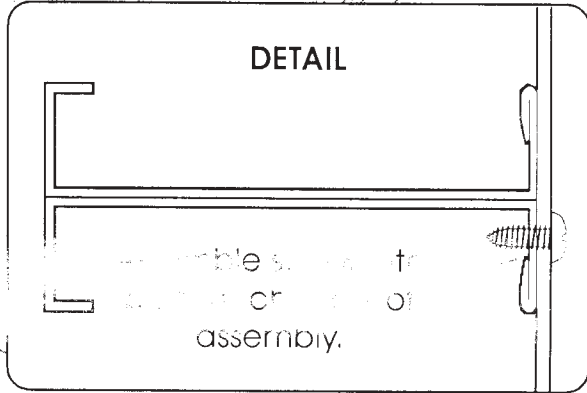
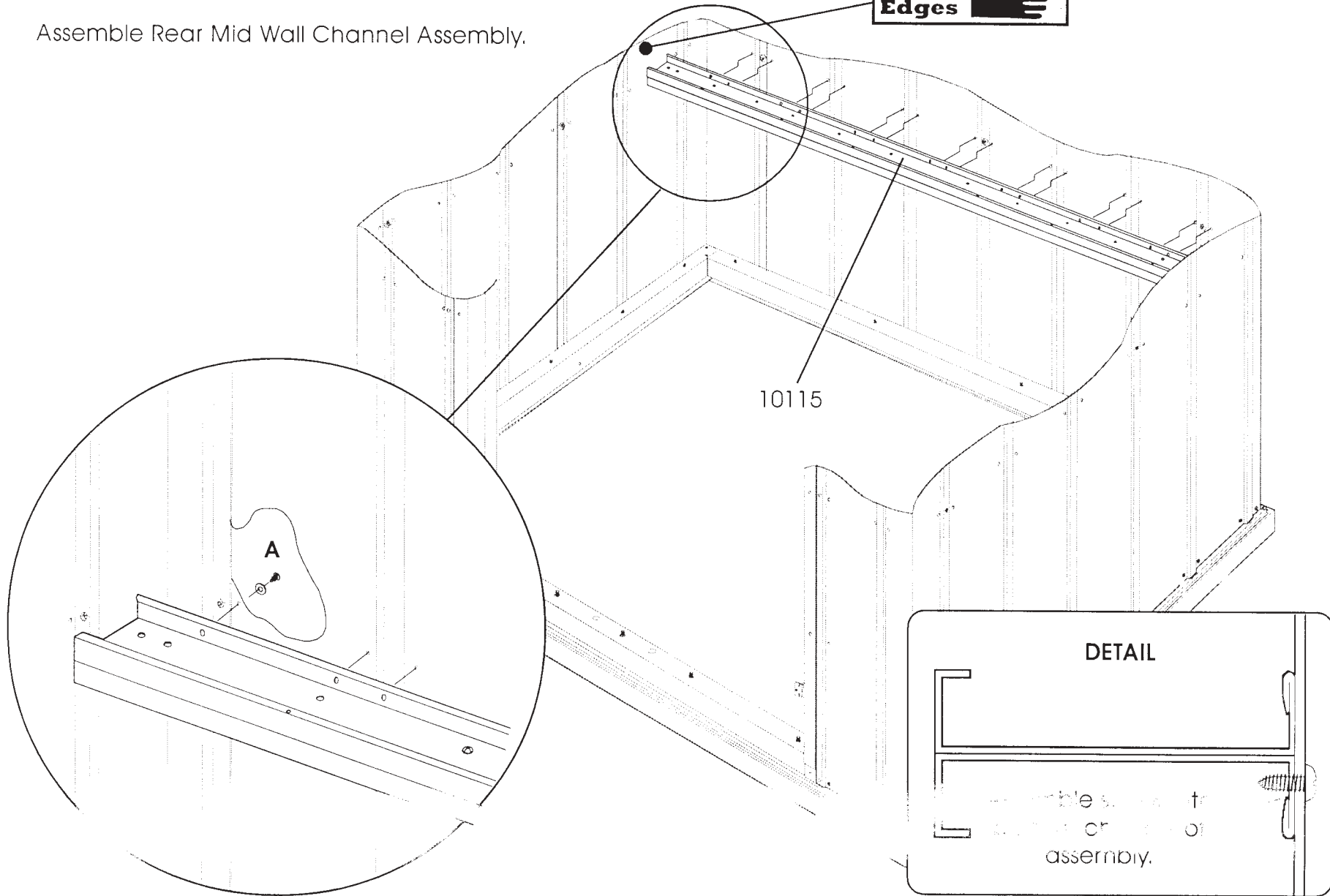
CAUTION
Sharp Edges



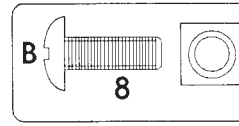
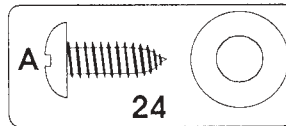
Mid Wall Channels Continued. . .



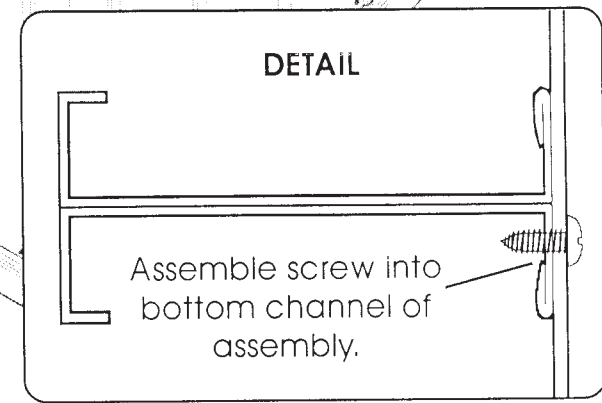
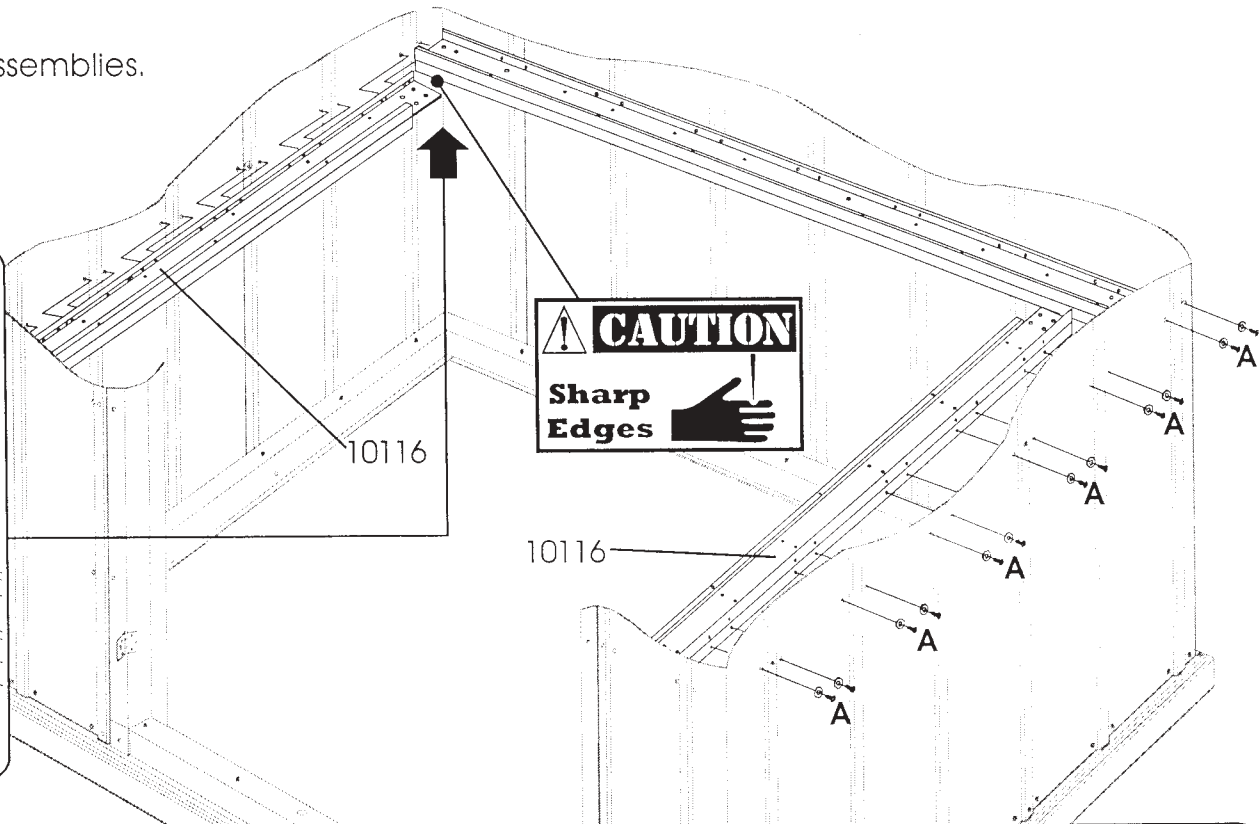
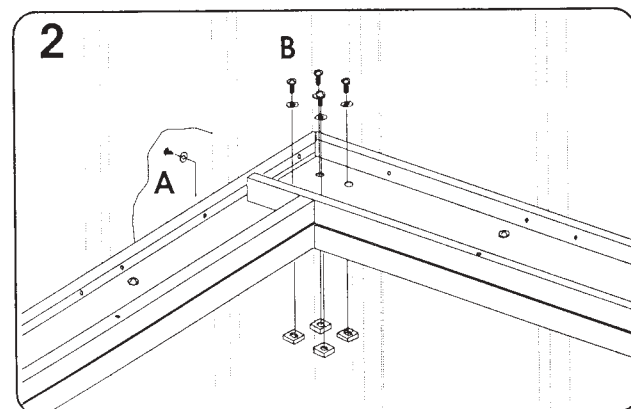
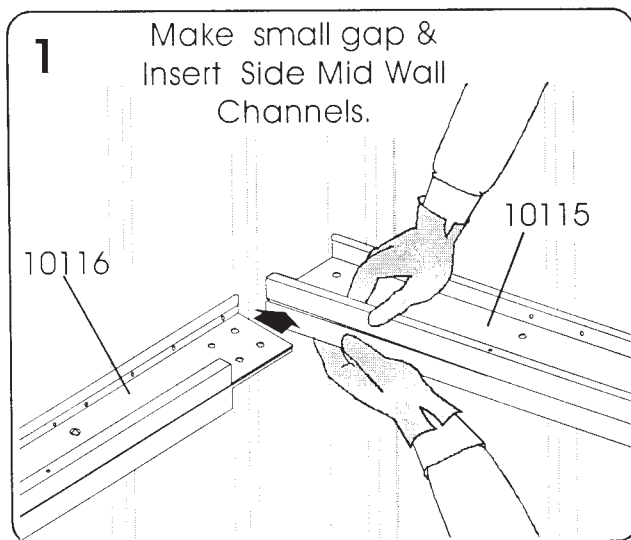
Assemble Rear Mid Wall Channel Assembly.



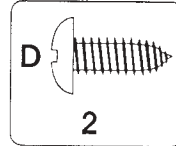
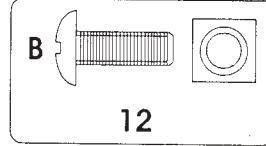
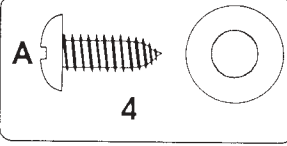
Mid Wall Channels Continued . . .



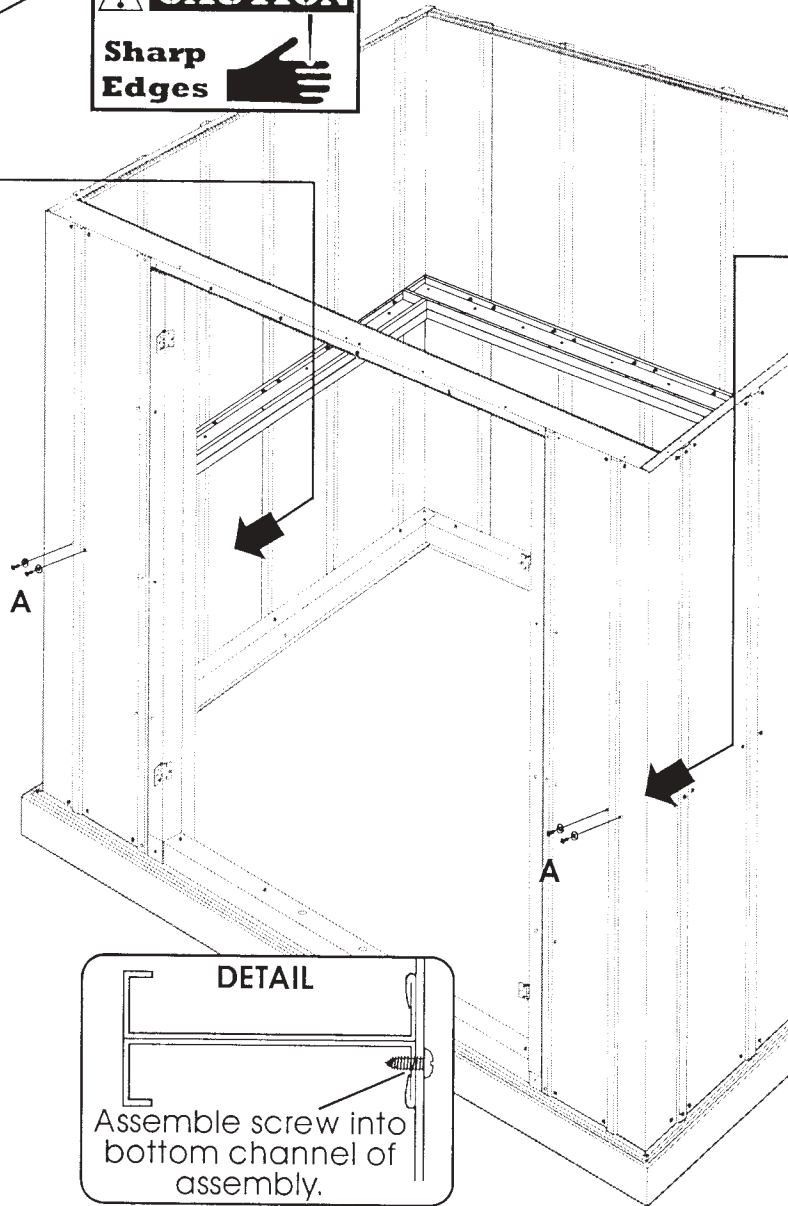
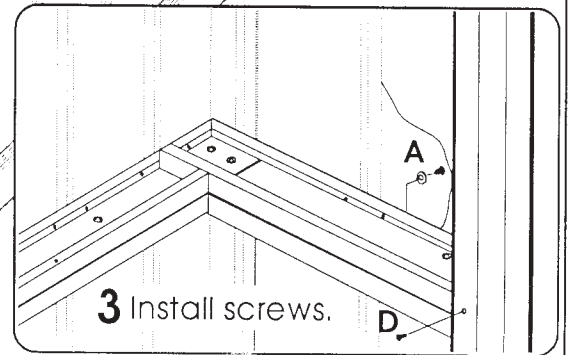
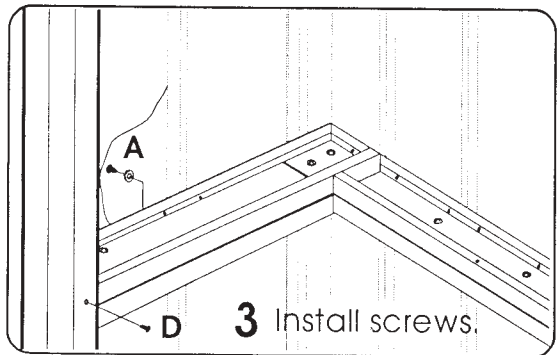
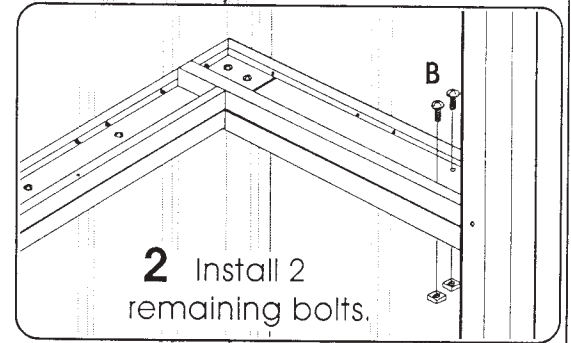
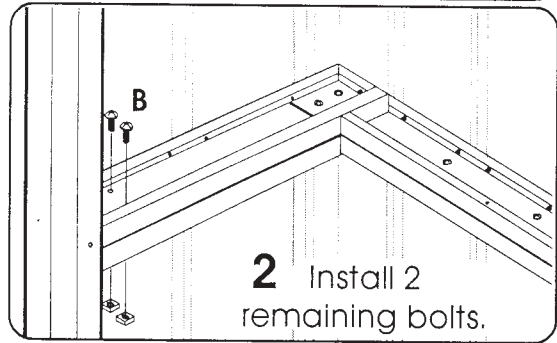
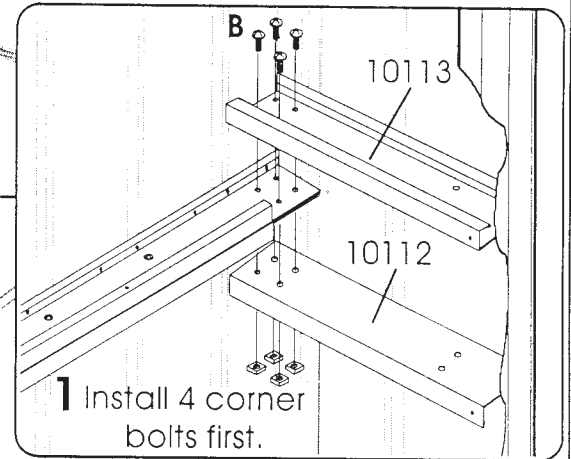
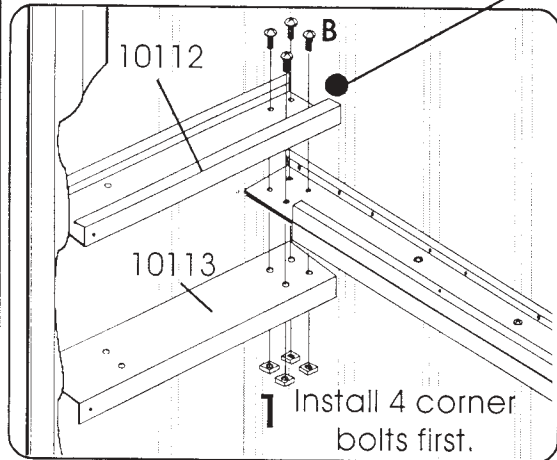
Assemble Side Mid Wall Channel Assemblies.



Mid Wall Channels Continued.....

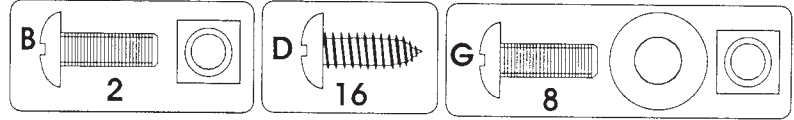


CAUTION
Sharp Edges

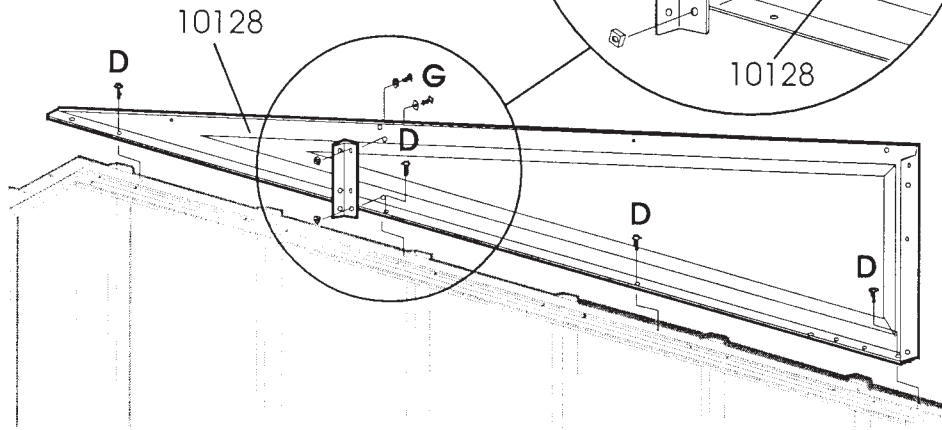


DETAIL
Assemble screw into bottom channel of assembly.

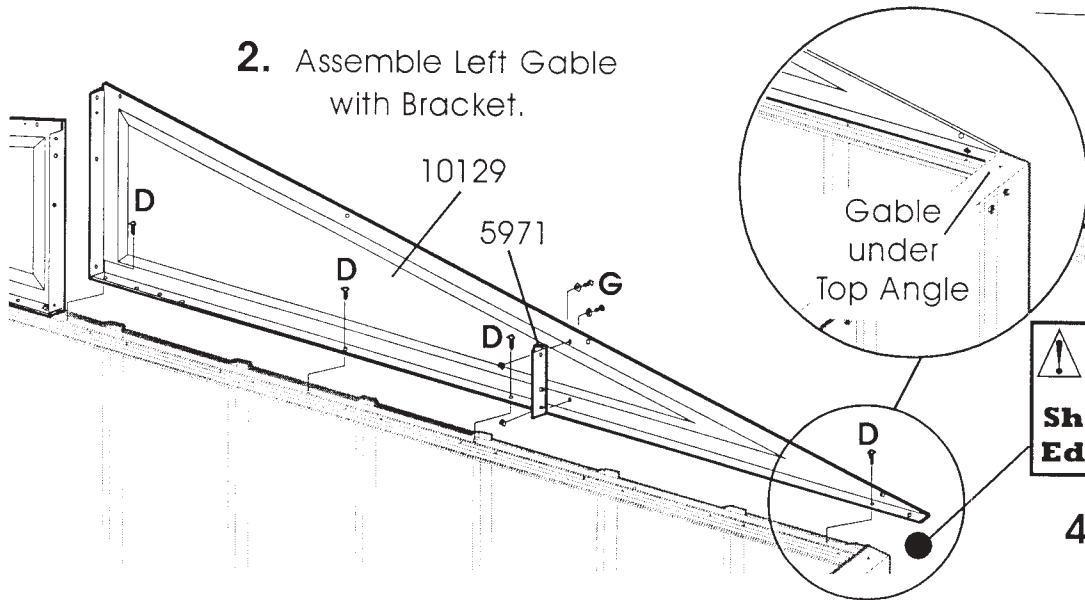
Step 11 Gables



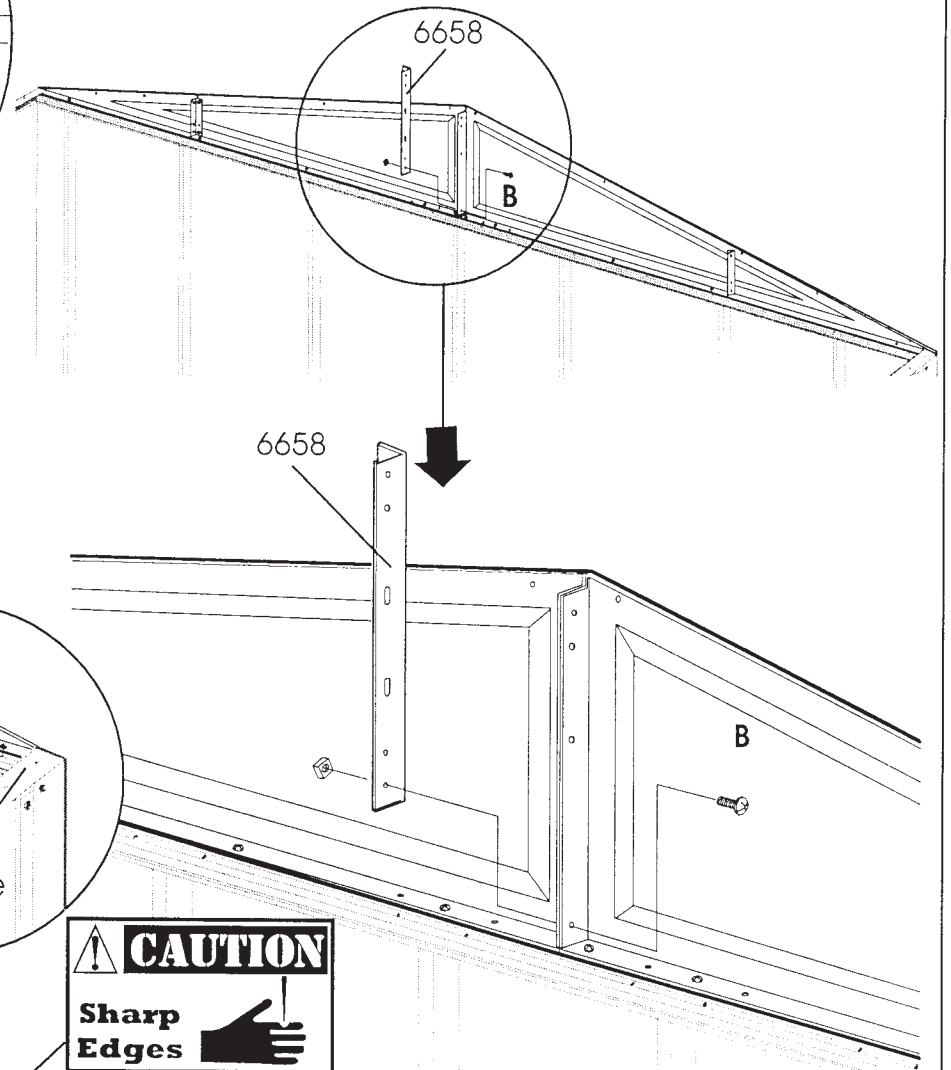
1. Assemble Right Gable with Bracket.



2. Assemble Left Gable with Bracket.

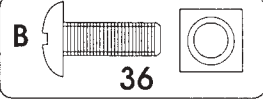


3. Assemble Gable Brace & Roof Brace

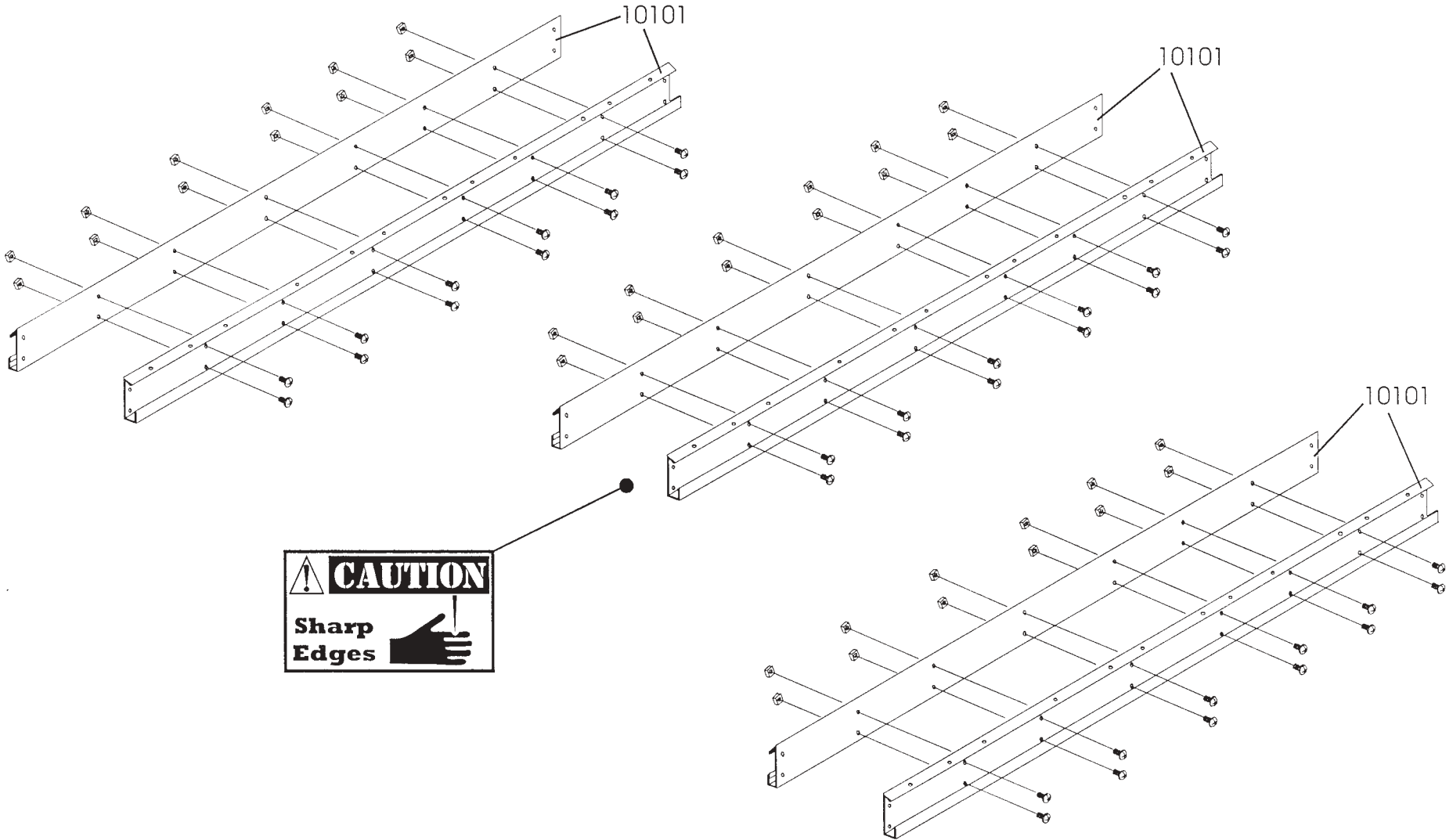


4. Repeat these steps to assemble Gables on front of building.

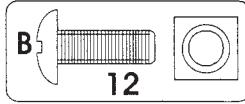
Step 12 Roof Beams



Assemble Roof Beams.

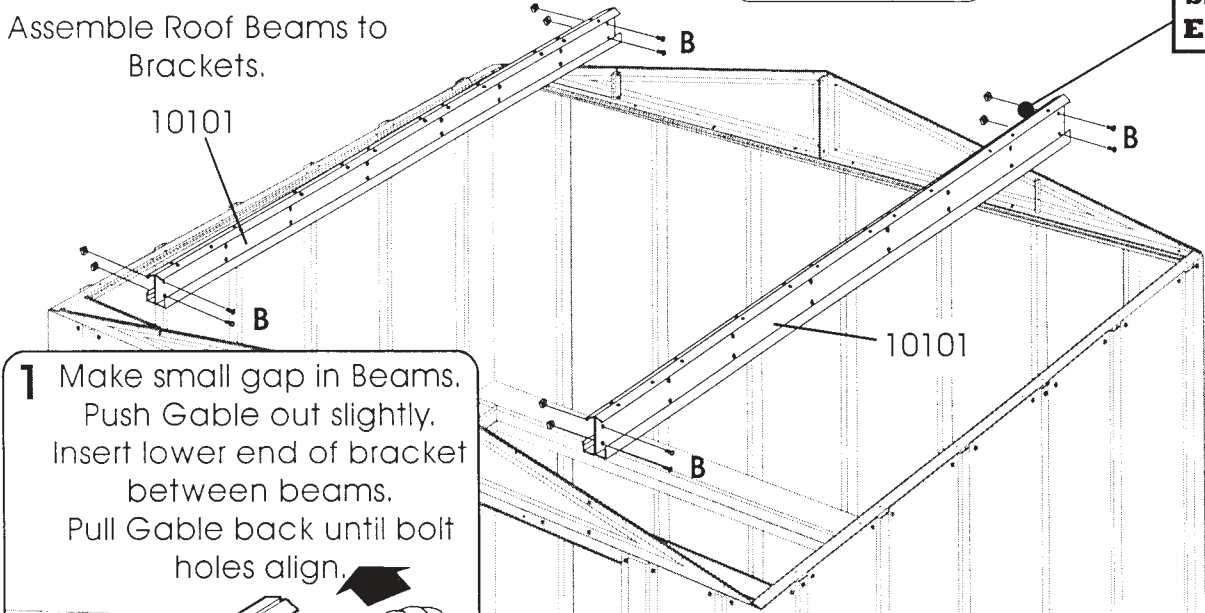


Roof Beams Continued...

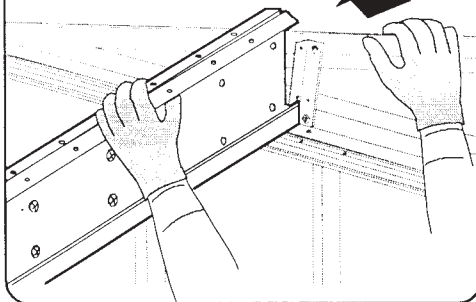


Assemble Roof Beams to Brackets.

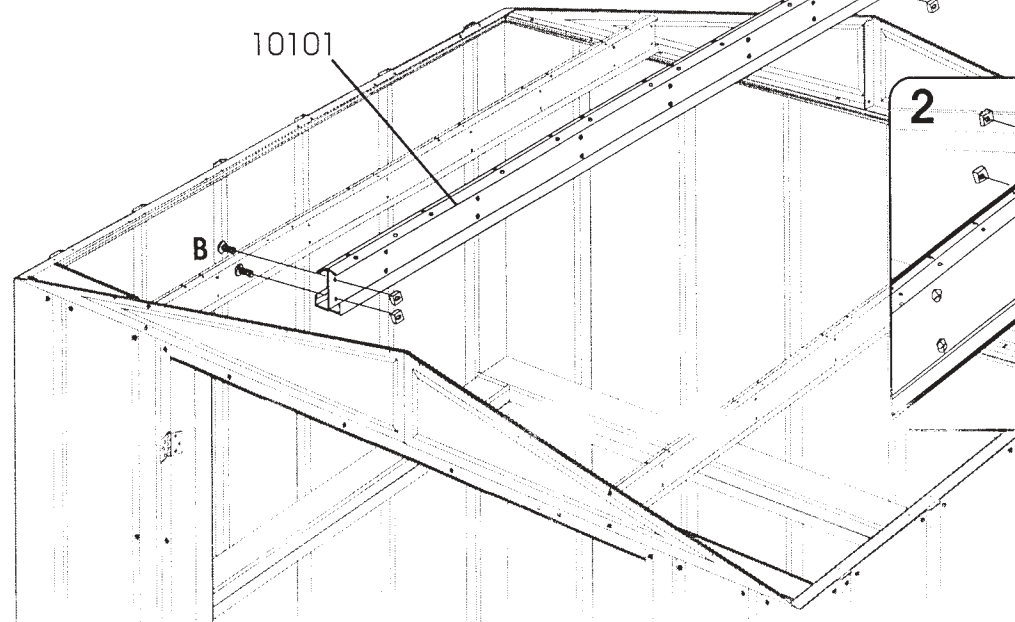
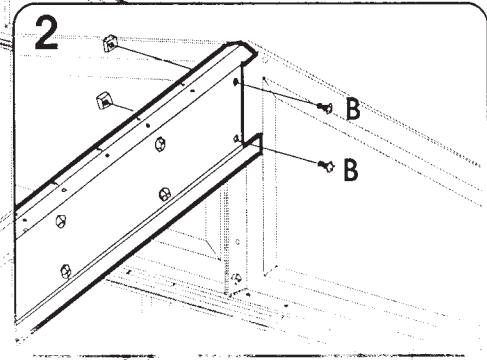
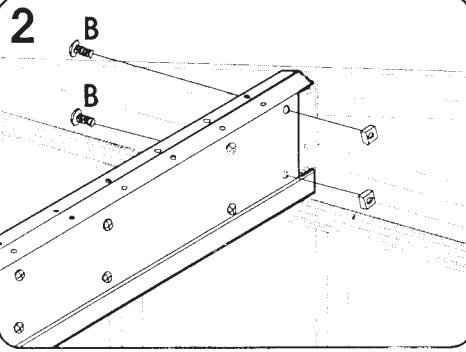
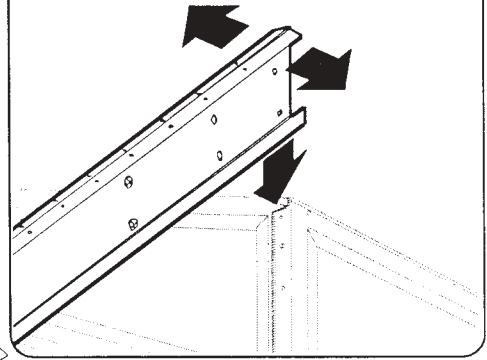
10101



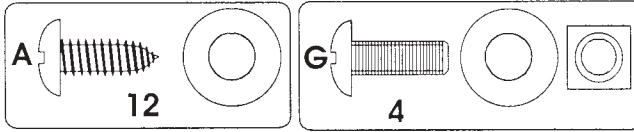
1 Make small gap in Beams. Push Gable out slightly. Insert lower end of bracket between beams. Pull Gable back until bolt holes align.



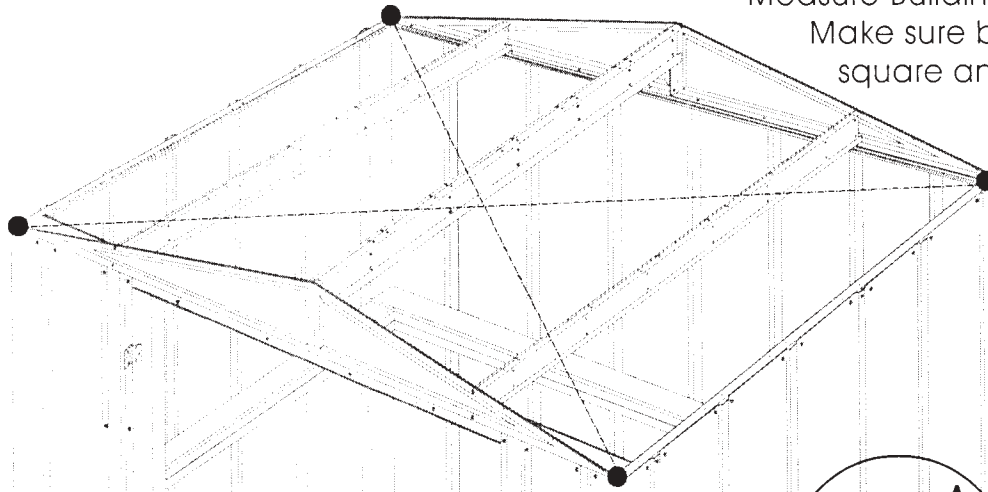
1 Make small gap in Beams. Slide Beams over Bracket & Gables. Align to top bolt holes.



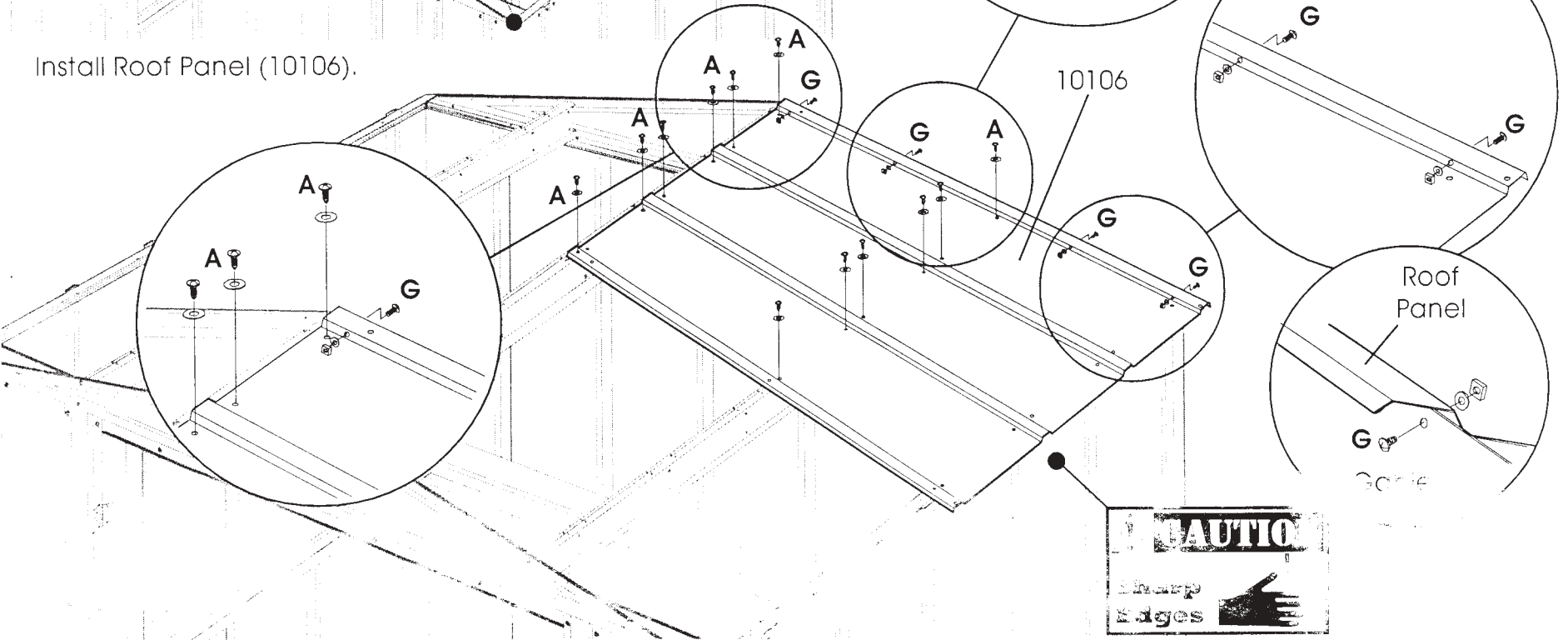
Step 13 Roof Panels



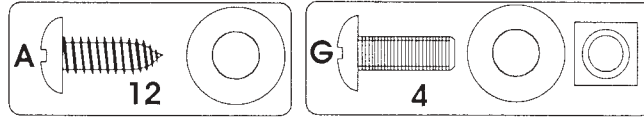
Measure Building diagonally.
Make sure building is
square and level.



Install Roof Panel (10106).



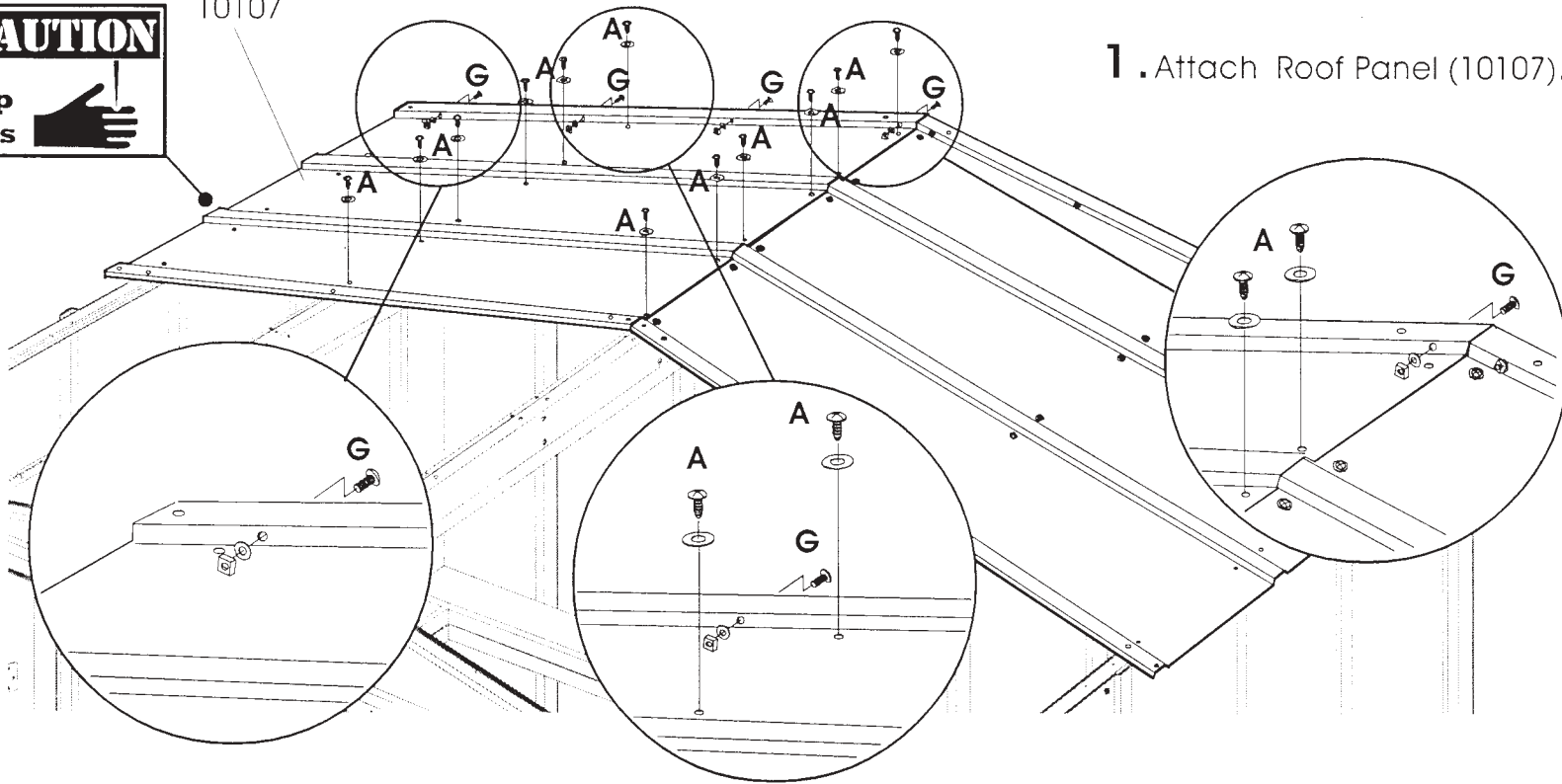
Roof Panels Continued . . .



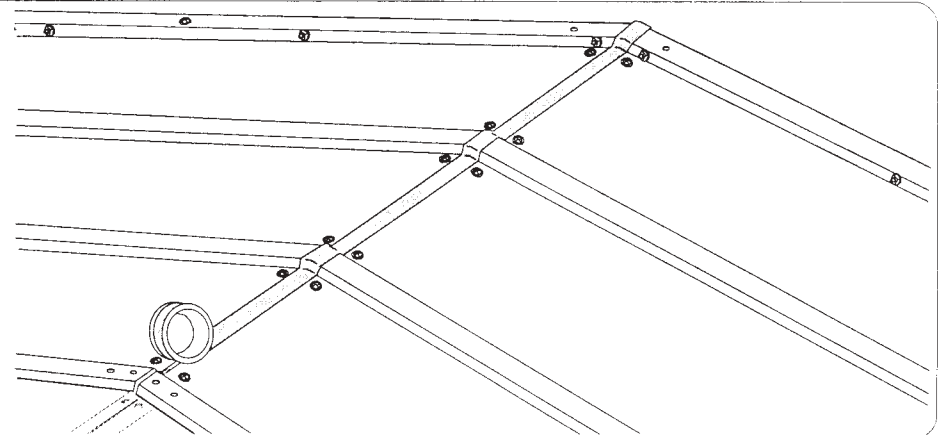
CAUTION
Sharp Edges

10107

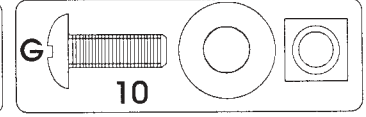
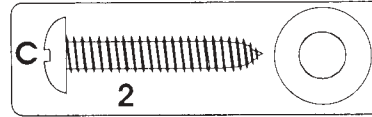
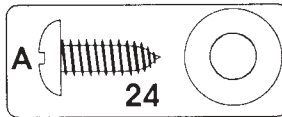
1. Attach Roof Panel (10107).



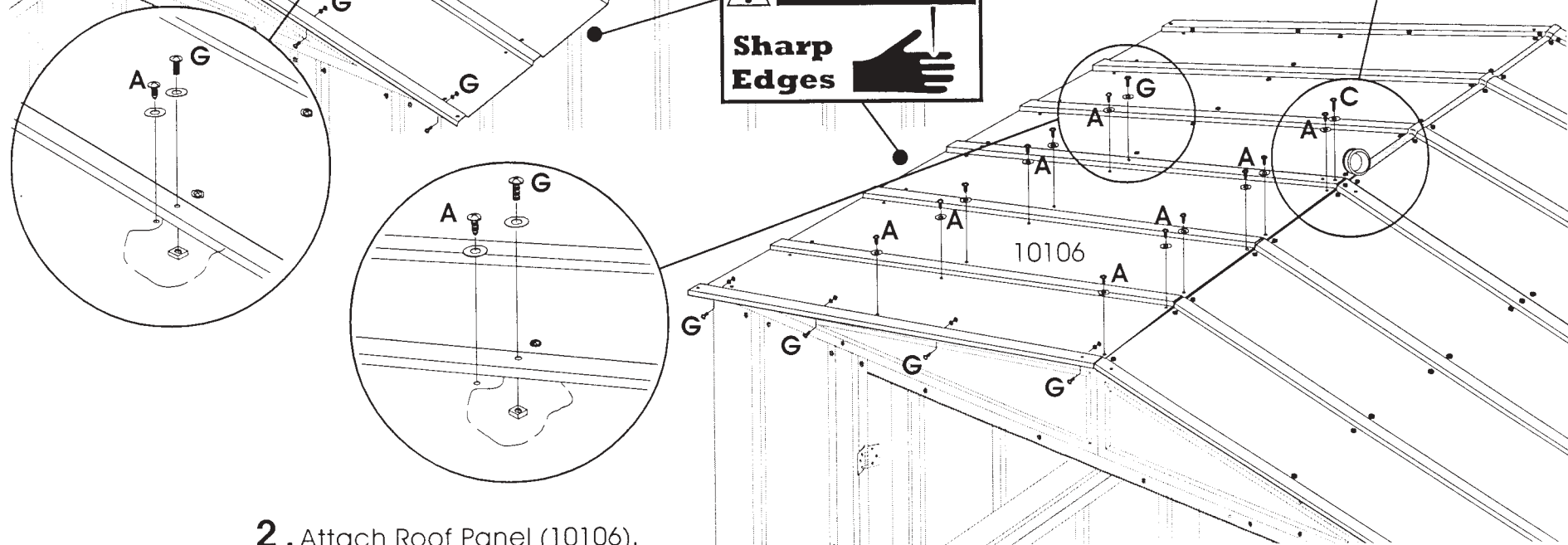
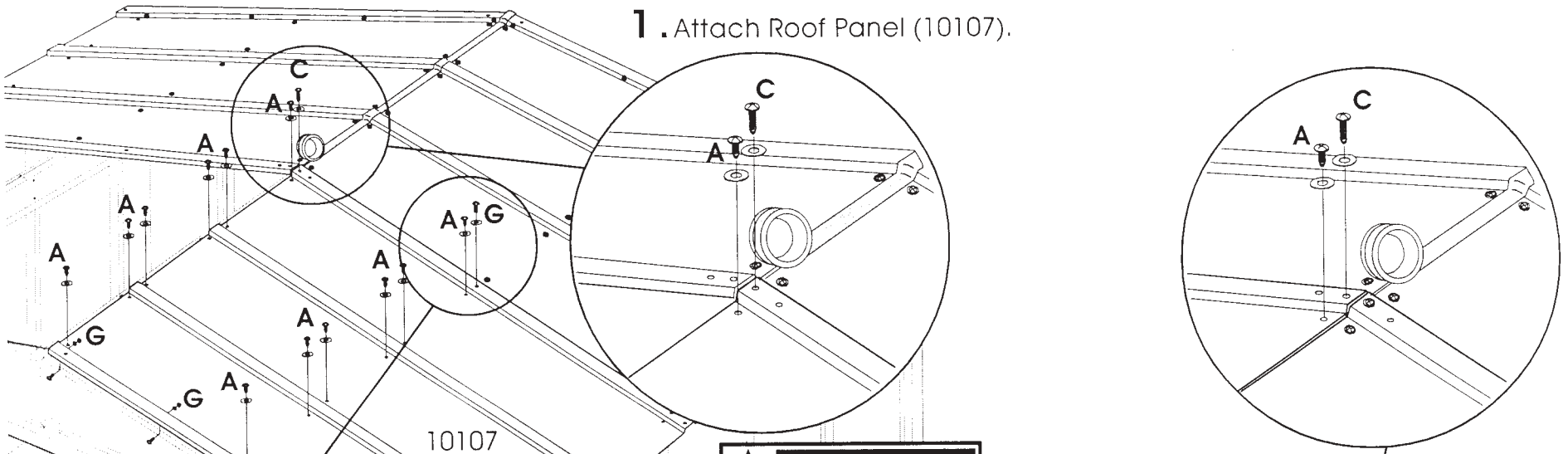
2. Start applying weather stripping tape where Panels meet at Peak. Press firmly into crevices.



Roof Panels Continued . . .

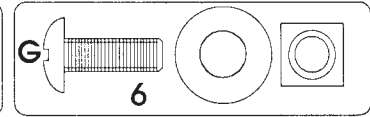
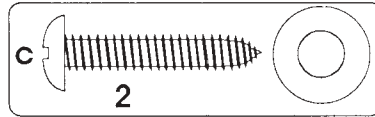
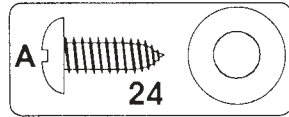


1. Attach Roof Panel (10107).

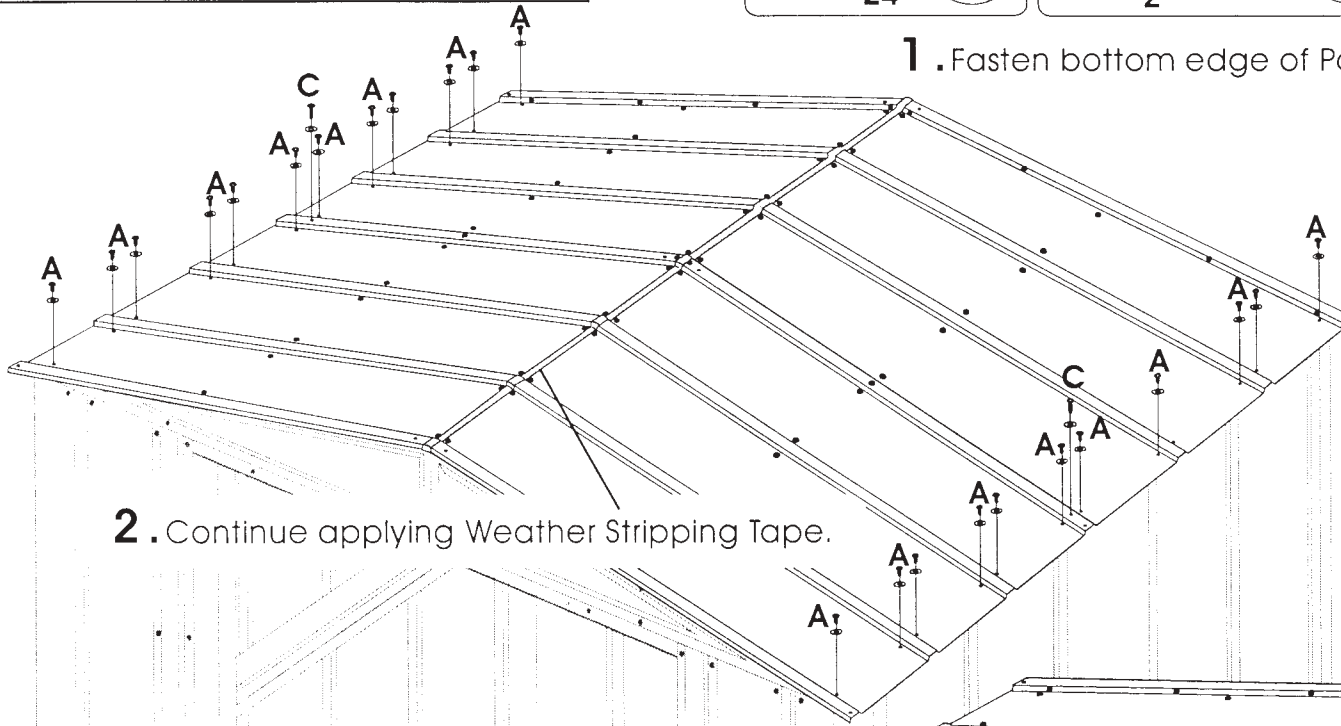


2. Attach Roof Panel (10106).

Roof Continued . . .

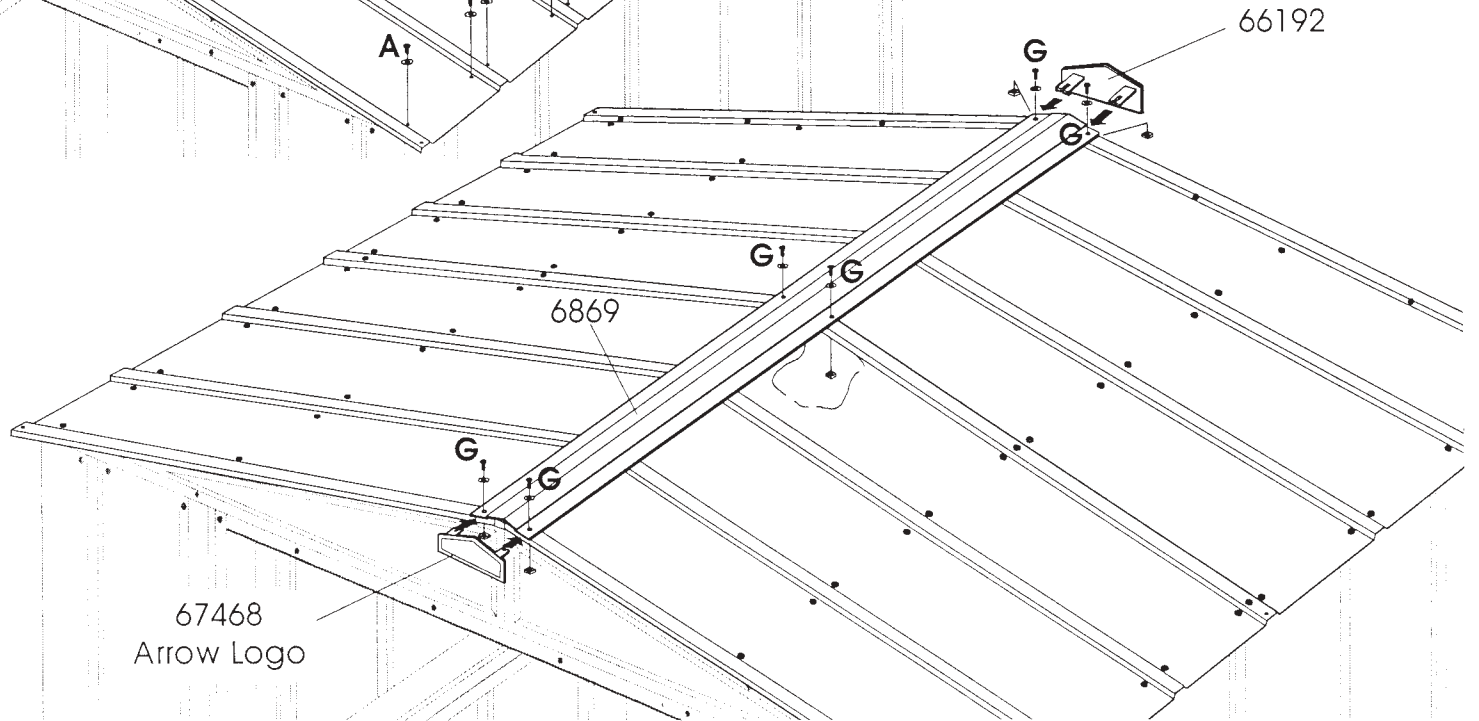


1. Fasten bottom edge of Panels.



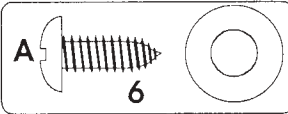
2. Continue applying Weather Stripping Tape.

3. Assemble Ridge Cap (6869) and Peak Caps (67468 & 66192) to Roof.

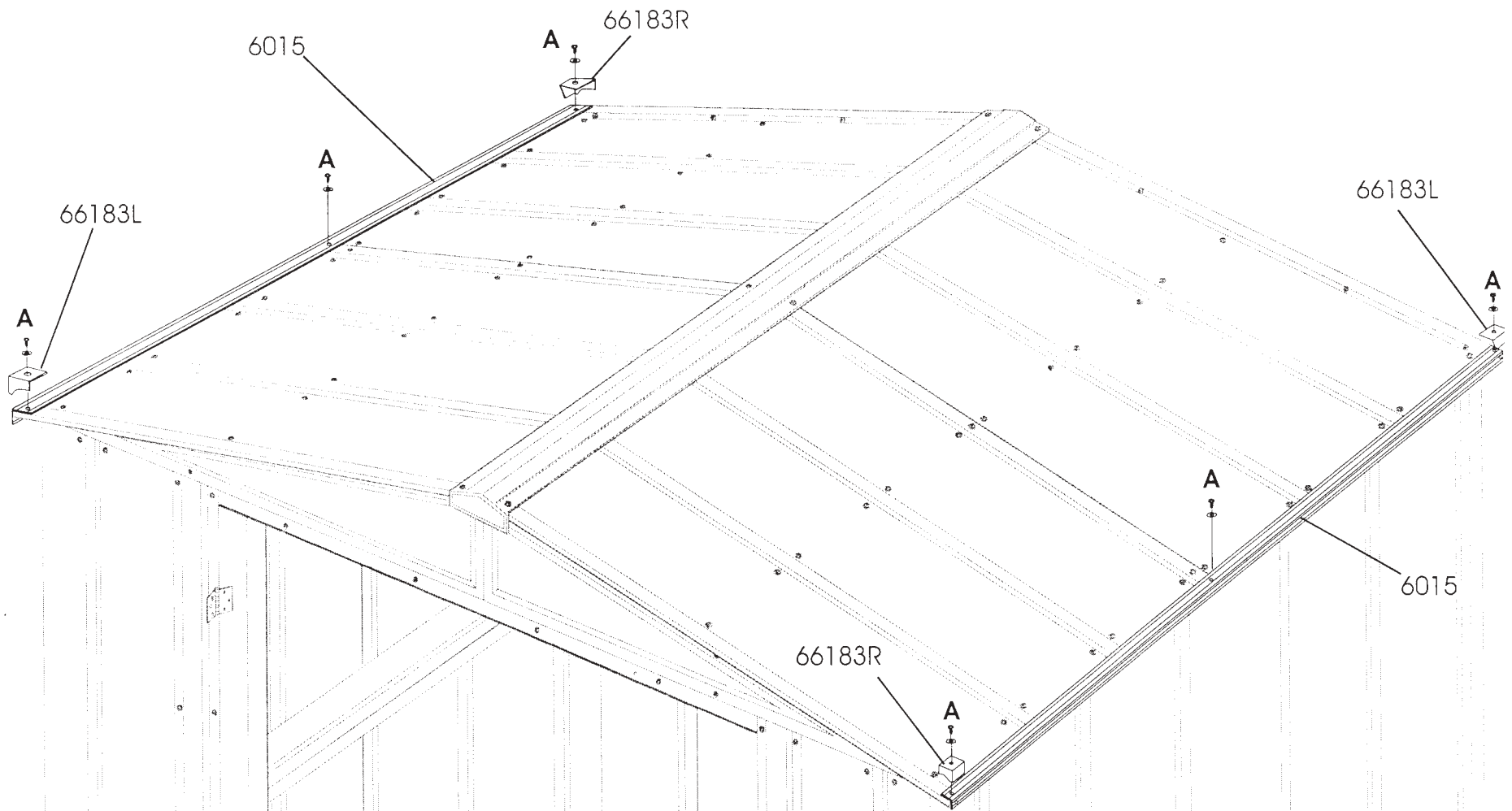


67468
Arrow Logo

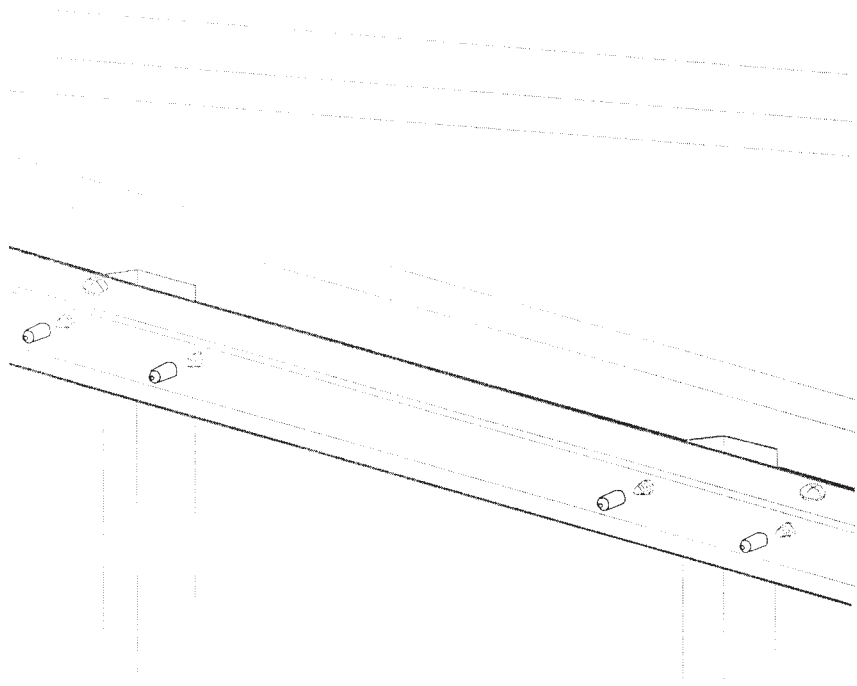
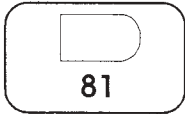
Step 14 Trim and Caps



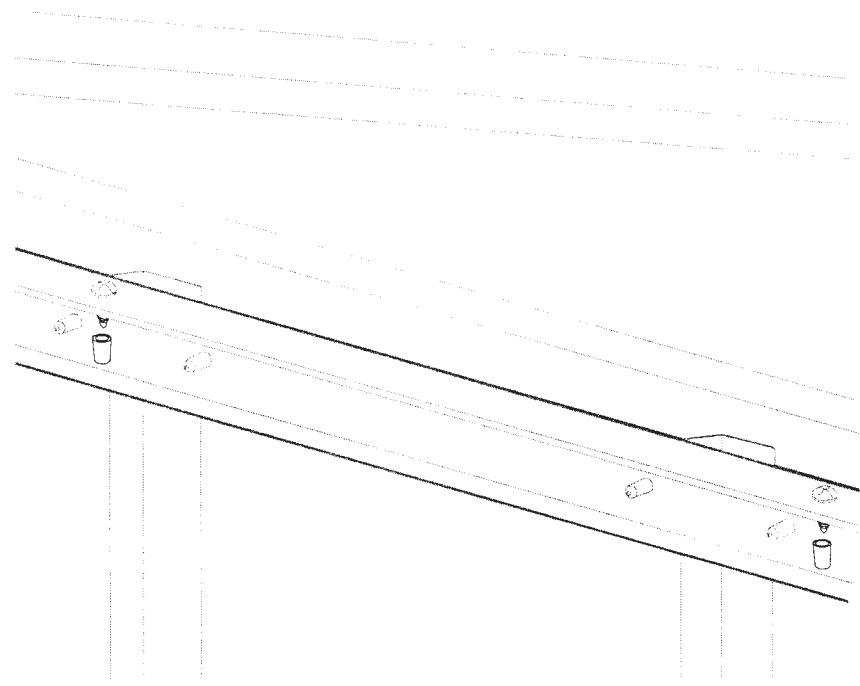
Attach Trim (6015) and Trim Caps (66183R and 66183L).



Step 15 Screw Caps



Place Screws Caps on screws ends protruding from the side of Top Wall Angles.

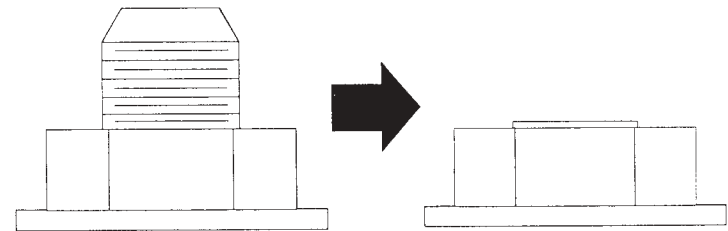
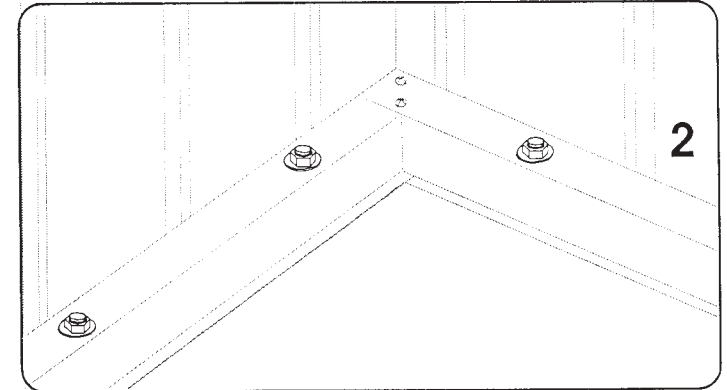
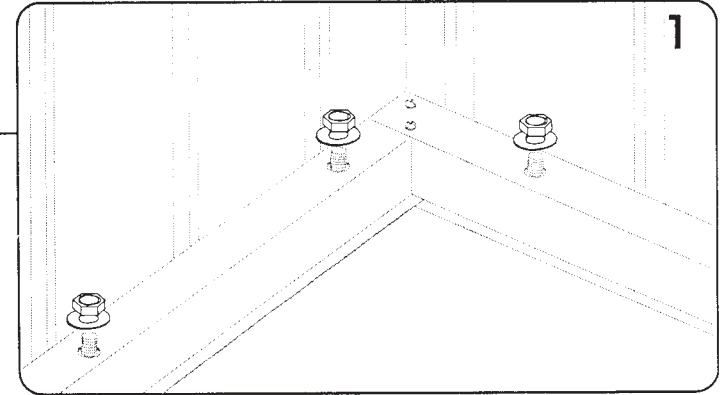
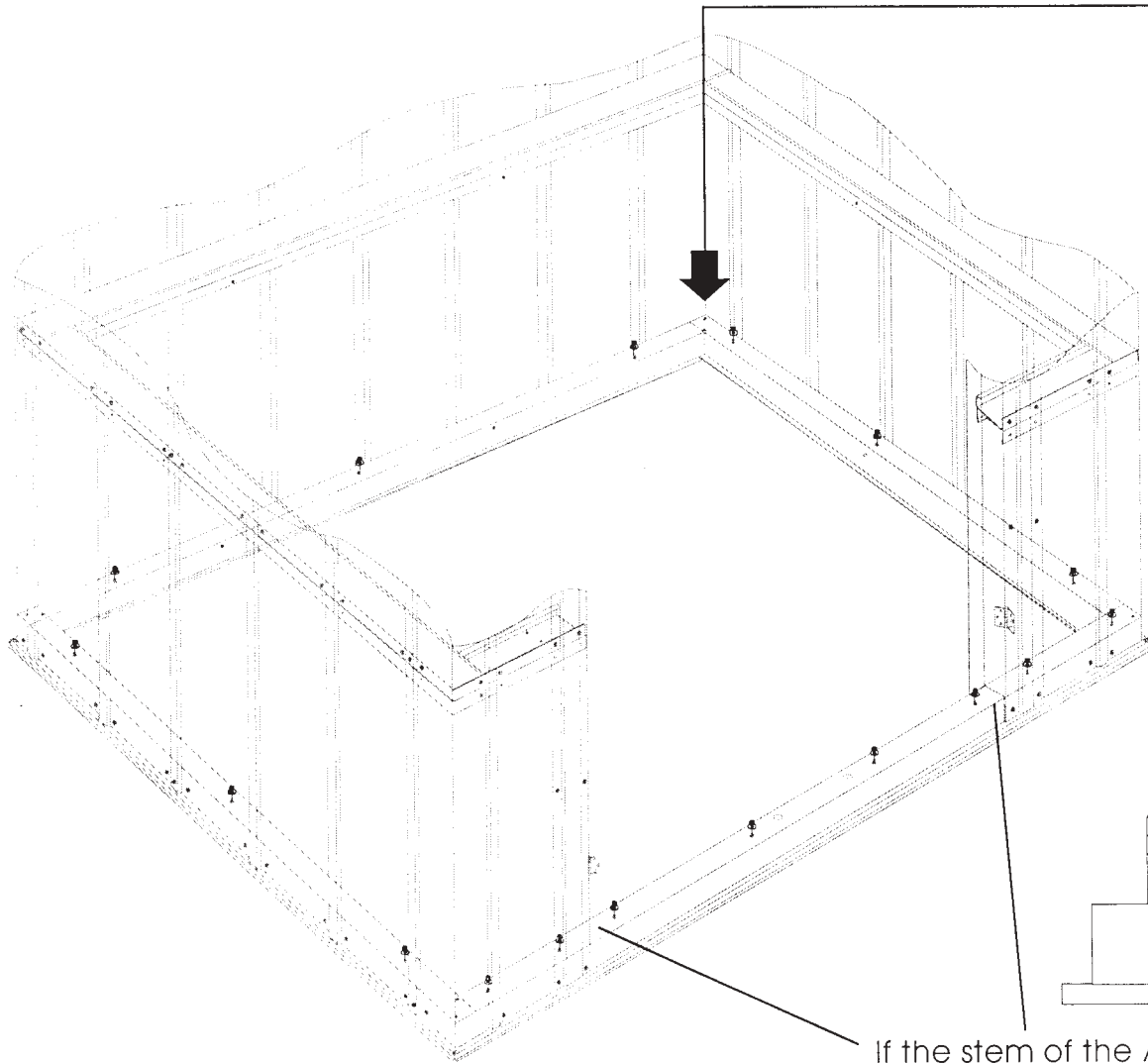


Place Screws Caps on screws ends protruding from underneath Top Wall Angles.

Step 16 Anchoring



Place Hex Nut and Washer on all Anchor Bolts and tighten.



If the stem of the Anchor Bolt sticks out above the Hex Nut in this area, it is required that the stem be cut off above the Hex Nut.

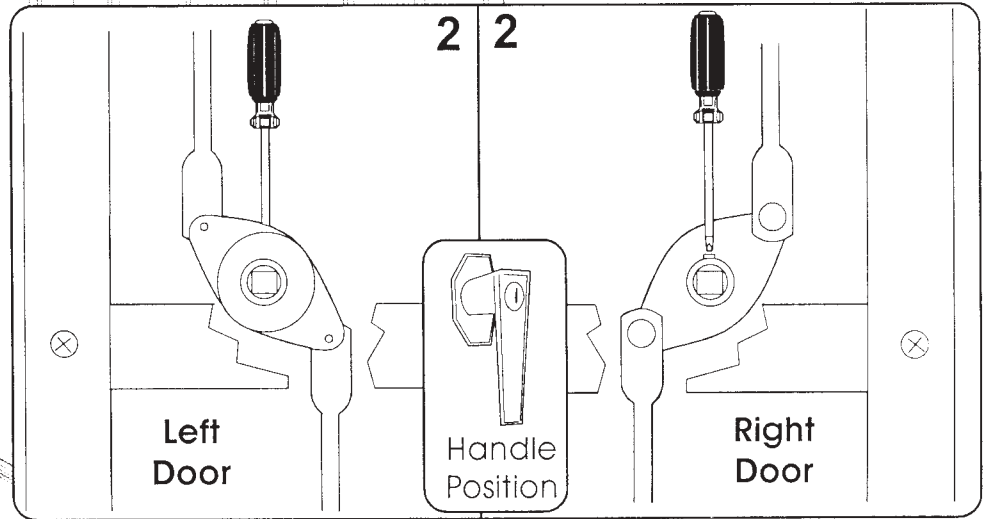
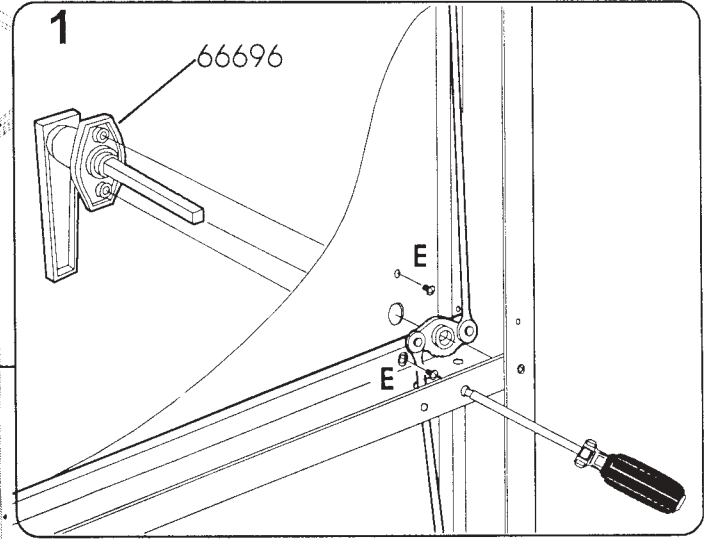
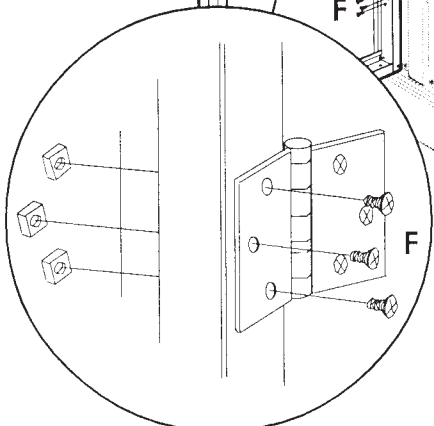
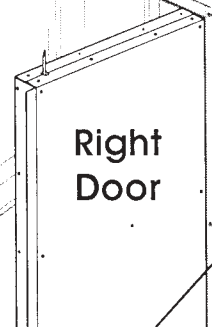
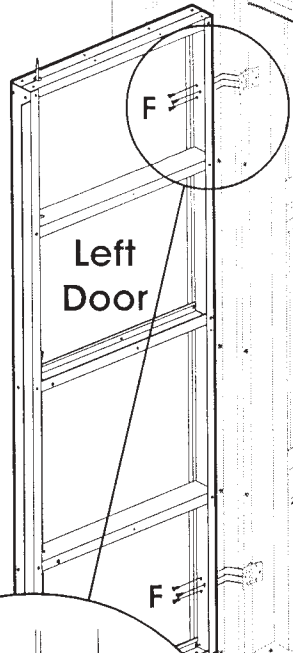
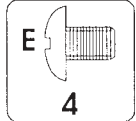
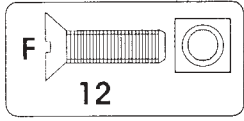
Step 17 Doors



Assemble Doors.

Before Installing Doors
Check All Fasteners
IF LOOSE, RETIGHTEN!

Attach both Right & Left Door
Handles (66696 & 66697) as
marked on bag.



Left Door

Handle Position

Right Door

Care & Maintenance

Finish: For long lasting finish, periodically clean and wax the exterior surface. Touch up scratches as soon as you notice them on your building. Immediately clean the area with a wire brush; wash it and apply touch up paint per manufacturer's recommendation.

Roof: Keep roof clean of leaves and snow with long handled, soft bristled broom. Heavy amounts of snow on roof can damage the building making it unsafe to enter.

Doors: Keep doors closed to prevent wind damage.

Fasteners: Regularly check you building for loose screws, bolts, nuts, etc. and retighten them as necessary.

Moisture: With changing temperatures, condensation will accumulate inside the building.

Other Tips: A noncorrosive caulking is helpful to seal the building.

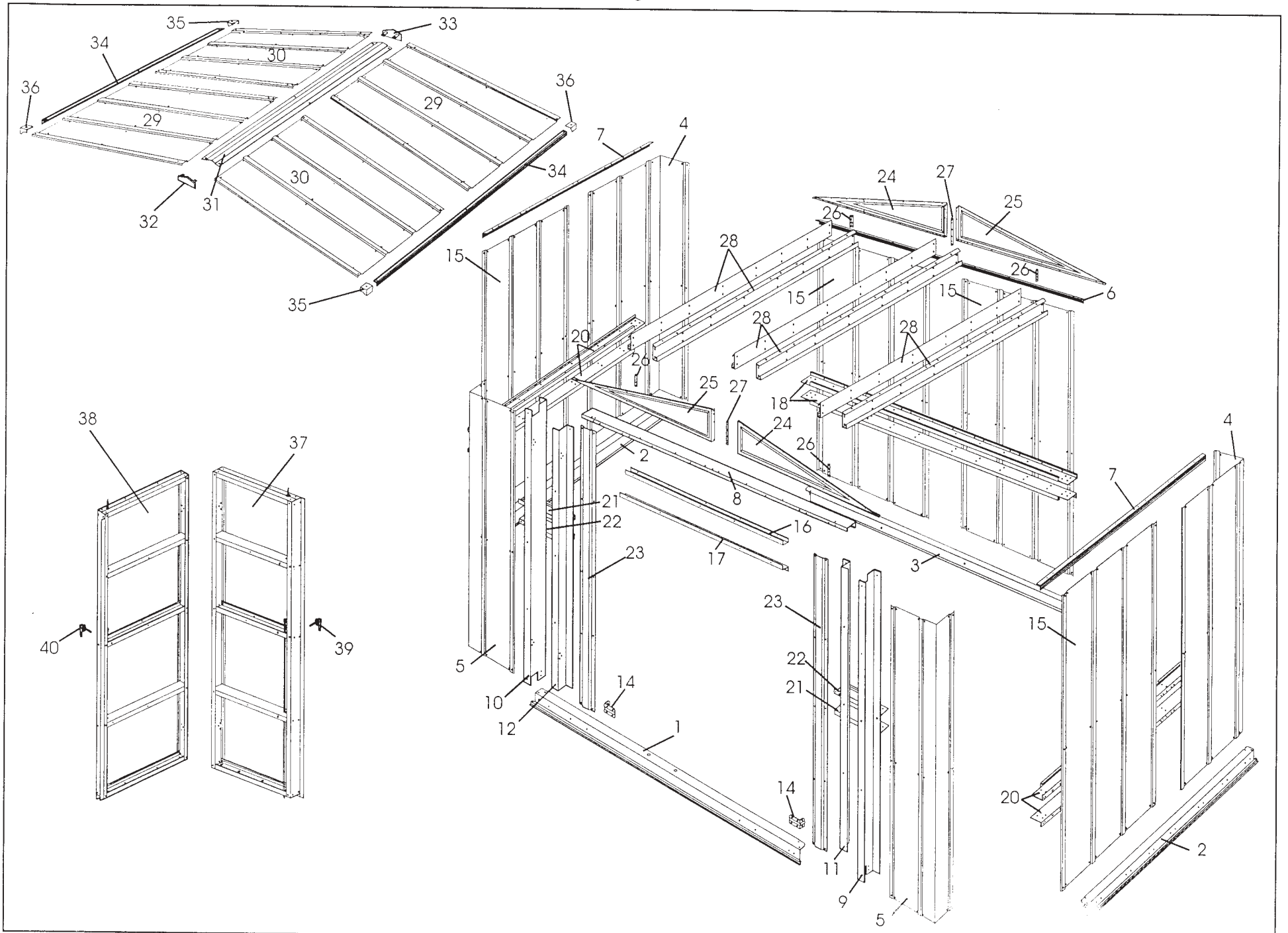


**Do Not store swimming pool chemicals in your building.
Combustibles and corrosives must be stored in air tight containers.**

Arrow Group Industries

1101 North Fourth Street
Breese, Illinois 62230





Parts List HS65

Dia. No.	Part Name	Qty	Part No.	Carton No.	Dia. No.	Part Name	Qty	Part No.	Carton No.
1	Front Floor Frame	1	10118	1	26	Roof Beam Bracket	4	5971	1
2	Side Floor Frame	2	10117	1	27	Gable Brace	2	6658	1
3	Rear Floor Frame	1	10119	1	28	Roof Beam	6	10101	1
4	Wall Panel - Rear Corner	2	10108	1	29	Roof Panel - Right	2	10106	1
5	Wall Panel - Front Corner	2	10105	1	30	Roof Panel - Left	2	10107	1
6	Rear Wall Angle	1	10109	1	31	Ridge Cap	1	6869	1
7	Side Wall Angle	2	10104	1	32	Peak Cap - Arrow	1	67468	1
8	Header Beam	1	10110	1	33	Peak Cap - Rear	1	66192	1
9	Column - Right	1	10084	1	34	Roof Trim	2	6015	1
10	Column - Left	1	10085	1	35	Trim Cap - Right	2	66183R	1
11	Door Jamb Trim - Right	1	10076	1	36	Trim Cap - Left	2	66183L	1
12	Door Jamb Trim - Left	1	10077	1	37	Right Door Assembly	1	10102	1
13	Hinge	4	66695	1	38	Left Door Assembly	1	10103	1
14	Support Bracket	2	6228	1	39	Door Handle - Right	1	66696	1
15	Wall Panel	4	10064	1	40	Door Handle - Left	1	66697	1
16	Header Support	1	10111	1		Washers (40 per sheet)	8s	66646	1
17	Header Trim	1	10114	1		#10 x 1/2 Tap Screw	279	66611	1
18	Mid Wall Channel - Rear	2	10115	1		#10 - 32 Machine Nut	183	65106	1
20	Mid Wall Channel - Side	4	10116	1		#10 - 32 x 7/16 Machine Screw	159	65943	1
21	Mid Wall Channel - Front	2	10112	1		#10 x 1 Tap Screw	22	66692	1
22	Mid Wall Channel - Front	2	10113	1		#10 - 32 Flt Hd Machine Screw	24	66693	1
23	Door Trim	2	10086	1		#8 - 32 x 1/4 Machine Screw	4	66013	1
24	Gable - Right	2	10128	1		Spacers	17	66699	1
25	Gable - Left	2	10129	1		Screw Caps	81	66698	1
						Weather Stripping Tape	1	67293	1

If you find any parts missing
during construction call:
1-800-851-1085

or write:
Arrow Group Industries
1101 North Fourth Street
Breese, Illinois 62230

*Please include your Model Number, Part Number, and Part Name
Keep this Assembly Manual for further reference.*

Homestead 65

Arrow Group Industries

1101 North Fourth Street
Breese, Illinois 62230

