

# FLOOR KIT INSTRUCTIONS FOR 12X4 BUILDING EXTENDER

ACTUAL SIZE 144" WIDE X 48" DEEP

#16636

1-800-437-0784

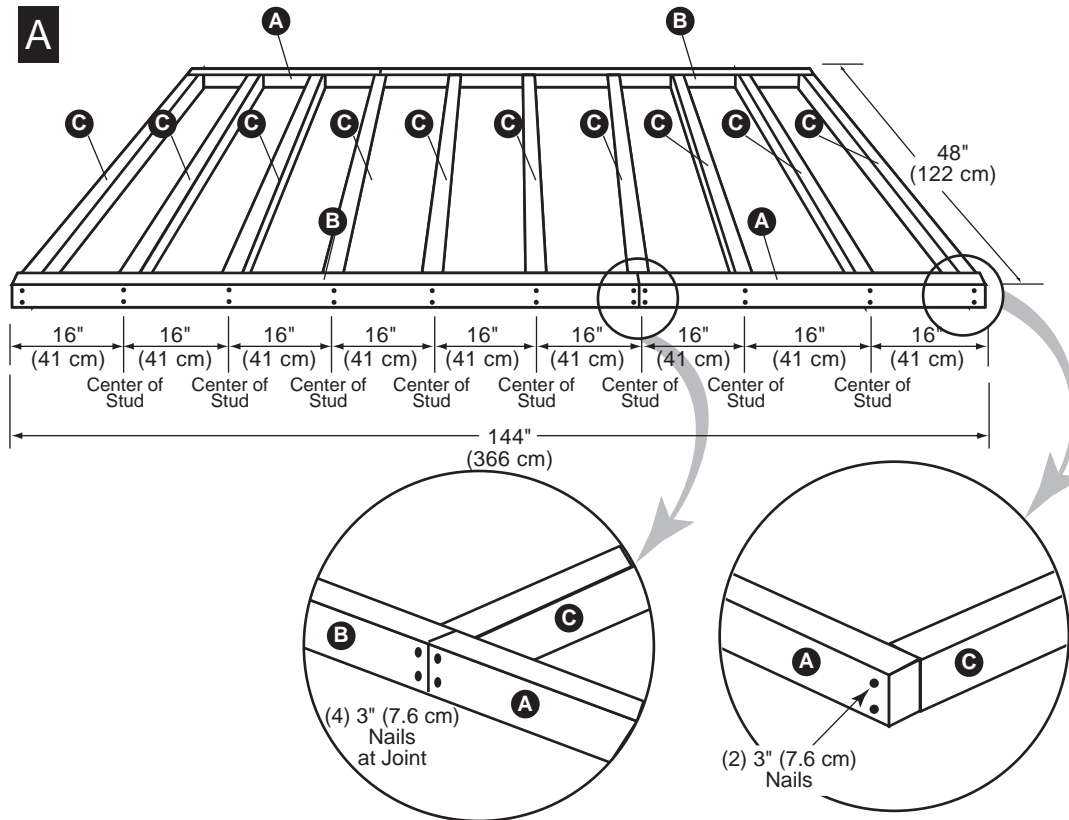
Parts Needed:

- A** 2 - 2x4x48" Bond Boards
- B** 2 - 2x4x96" Bond Boards
- C** 10 - 2x4x45" Floor Joists
- D** 1 - 48"x47-7/8"x5/8" Floor Panel
- E** 1 - 96"x48"x5/8" Floor Panel
- 2" and 3" Nails

This instruction may be different from the one specified in Building instruction.

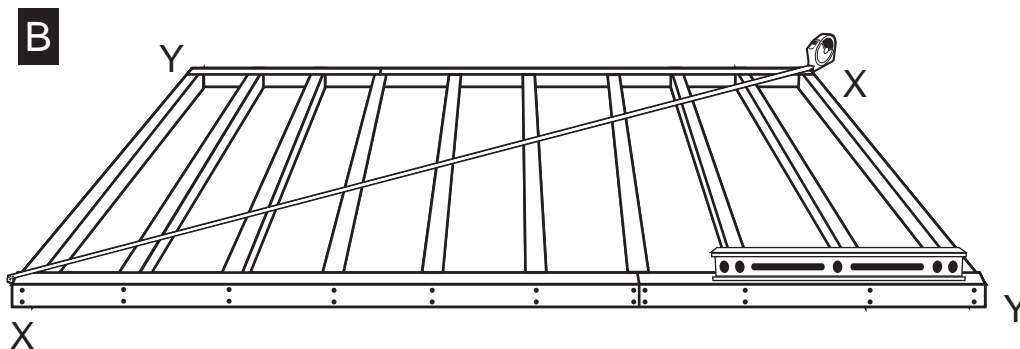
**NOTE: Part letters are not stamped on floor kits.**

**ASSEMBLY OF 144" X 48" FLOOR FRAME**



**A:** Position Bond Boards **A** & **B** and Floor Joists **C** as shown.

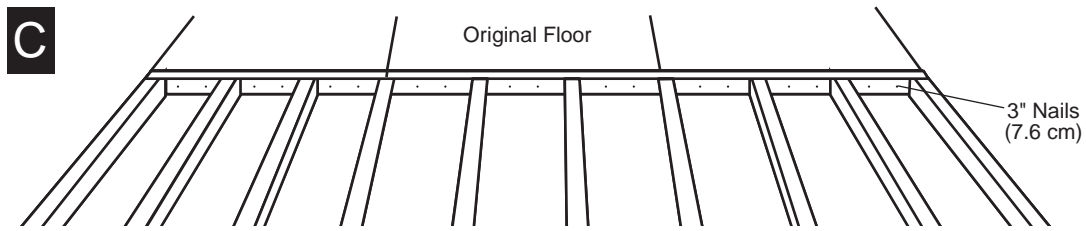
Using 3" nails, nail twice through each Bond Board **A** & **B** into each end of each Joist **C**, keeping pieces flush at top and ends, and maintain 16" spacing as shown. Where **A** & **B** join together use 4-3" nails.



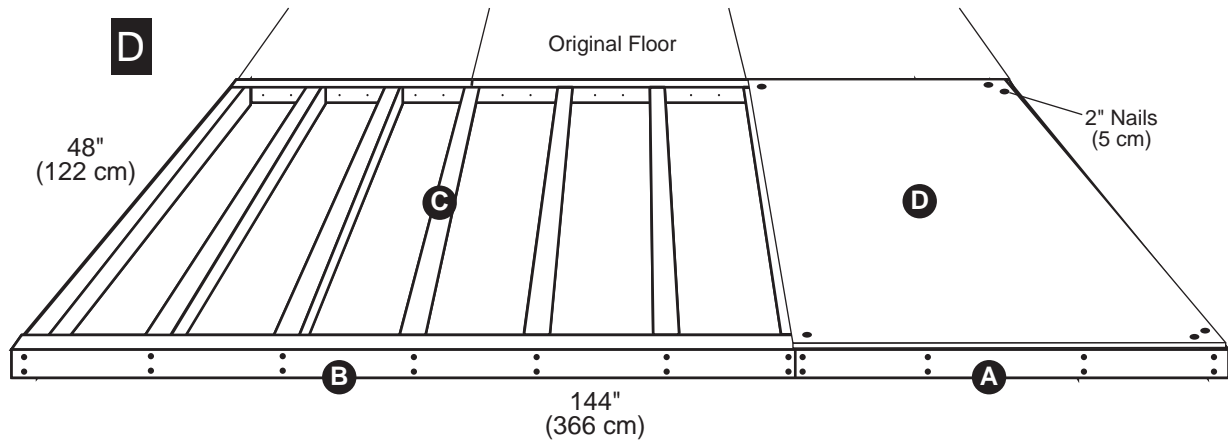
**B:** Completed Floor Frame should be positioned at building site, leveled, using shims between floor frame and ground before proceeding to Floor Panel Attachment.

Square frame by making corner-to-corner measurements (**X** to **X** and **Y** to **Y**) the same.

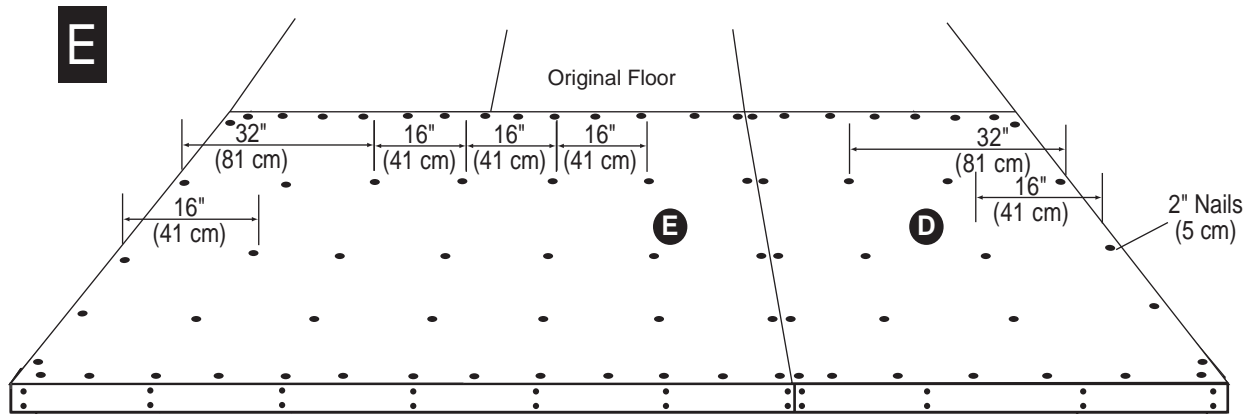
# 12X4 FLOOR KIT INSTRUCTIONS CONTINUED



**C:** Attach 12x4 Extender Floor Kit to original 12x12 floor kit with (2) 3" nails between every joist as shown.



**D:** Position a 48 x 47-7/8" Floor Panel **D** flush to the outside edges of sides and back of Floor Frame. Secure panel with two 2" nails at outside corners and one 2" nail at other corners.



Nails every 12" (30 cm) through Floor Panels into all Floor Bond Boards and Floor Joists

**E:** Position a 48" x 96" Floor Panel **E** flush against first panel and flush to edges of Floor Frame. Secure panel with two 2" nails at outside corners and one 2" nail at other corners.

Note: Mark a line on the Floor Panel over the center of each Floor Joist using a pencil and a piece of lumber from the kit (or use a chalk line) to make nailing easier.

With Floor Panels flush to outside edges of Floor Frame, nail with 2" nails every 12" through Floor Panels into all Floor Bond Boards and Floor Joists.

Your Floor is now complete. Check to be sure it is properly positioned and leveled to ground before beginning assembly of your Wooden Storage Building.