

FLOOR KIT INSTRUCTIONS FOR 8x8 and 8x16 BUILDINGS

02-24-06

ACTUAL SIZES • 96" WIDE x 96" DEEP (8x8)
• 96" WIDE x 192" DEEP (8x16)

#16670

1-800-437-0784

Parts Needed:

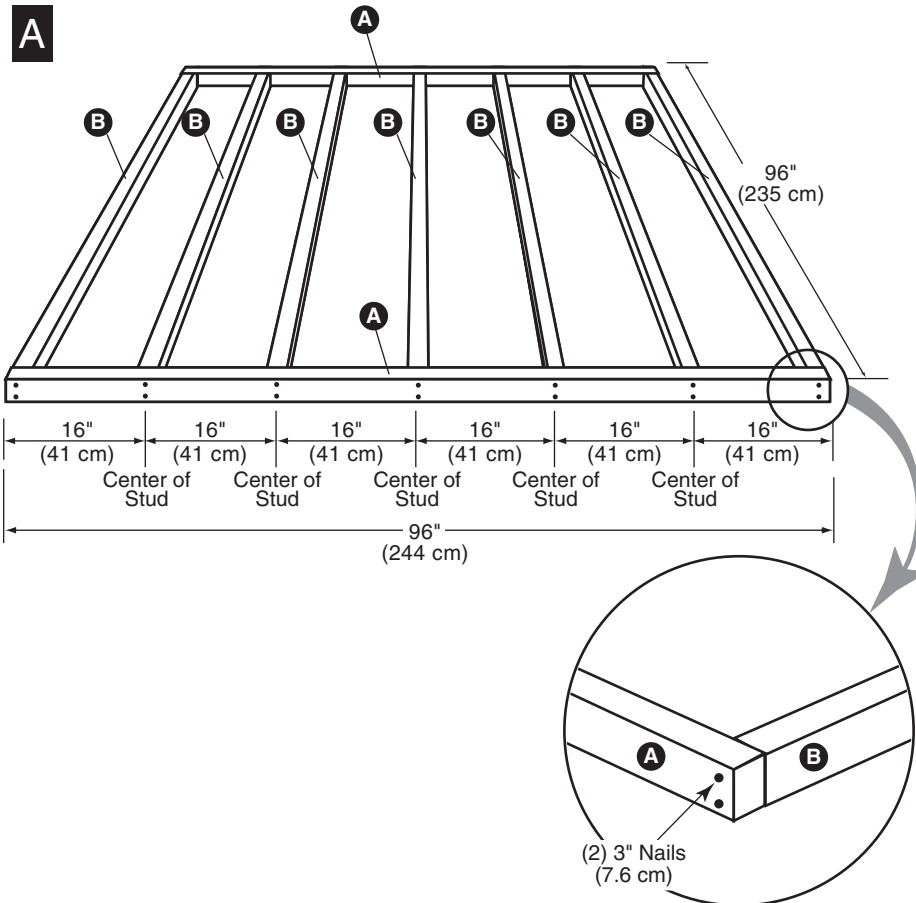
- A** 2 - 2x4x96" Bond Boards
- B** 7 - 2x4x93" Floor Joist
- C** 2 - 48x96"x5/8" Floor Panels
- 2" and 3" Nails

This instruction may be different from the one specified in Building instruction.

- Use for Premier Series Buildings only, cannot be used for a Marco Series

NOTE: Part letters are not stamped on floor kits.

ASSEMBLY OF 96" X 96" FLOOR FRAME

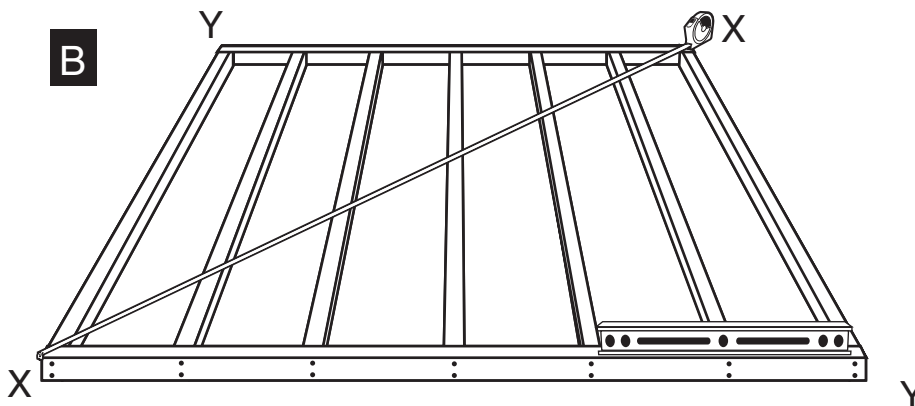


A: Position Bond Boards **A** and Floor Joists **B** as shown.

Using 3" nails, nail twice through each Bond Board **A** into each end of each Joist **B**, keeping pieces flush at top and ends, and maintain 16" spacing.

B: Completed Floor Frame should be positioned at building site, leveled, using shims between floor frame and ground before proceeding to Floor Panel Attachment.

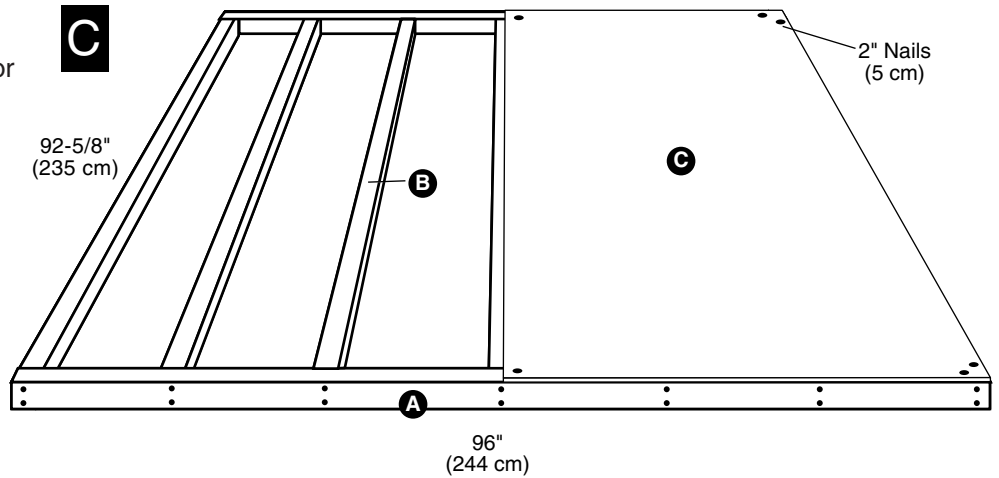
Square frame by making corner-to-corner measurements (**X** to **X** and **Y** to **Y**) the same.



8x8 and 8x16 FLOOR KIT INSTRUCTIONS (CONTINUED)

FLOOR PANEL ATTACHMENT:

- C:** Position a 48 x 92-5/8" Floor Panel **C** flush to the outside edges of sides and back of Floor Frame. Secure panel with two 2" nails at outside corners and one 2" nail at other corners.

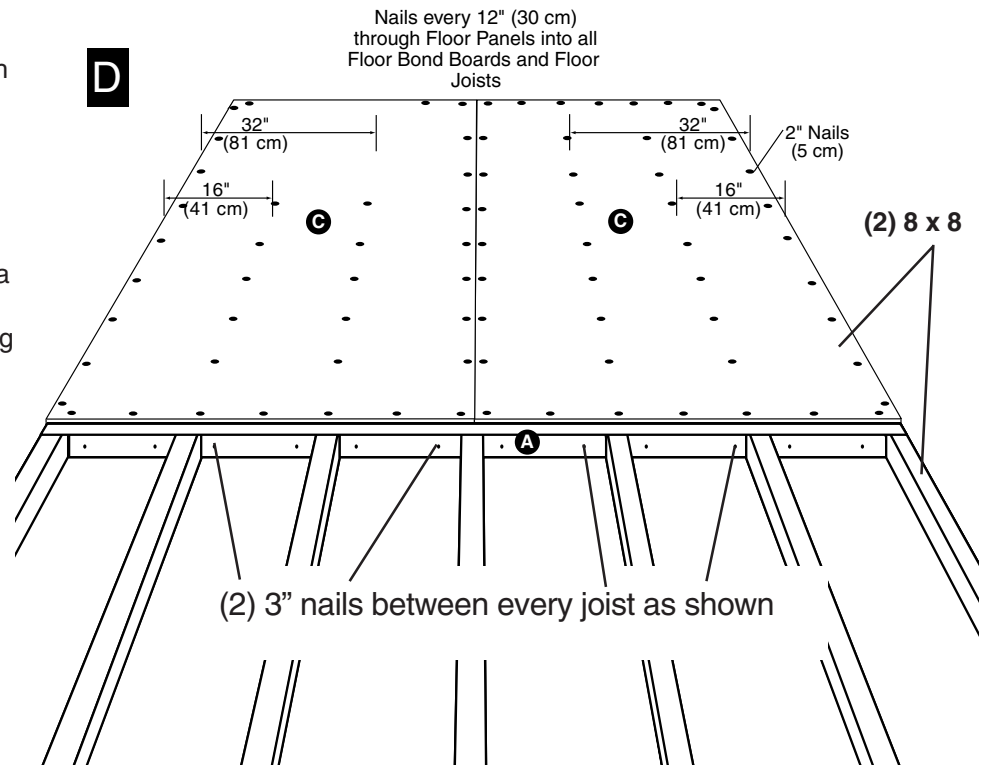


- D:** Position the other 48" x 92-5/8" Floor Panel **C** flush against first panel and flush to edges of Floor Frame. Secure panel with two 2" nails at outside corners and one 2" nail at each of other corners.

Note: Mark a line on the Floor Panel over the center of each Floor Joist @ 16" using a pencil and a piece of lumber from the kit (or use a chalk line) to make nailing easier.

With Floor Panels flush to outside edges of Floor Frame, nail with 2" nails every 12" through Floor Panels into all Floor Bond Boards **A** and Floor Joists **B**.

Your Floor is now complete. Check to be sure it is properly positioned and leveled to ground before beginning assembly of your Wooden Storage Building.



**FOR 8 x 16 FLOOR BUILD TWO 8 X 8 FLOORS,
ATTACH PRIOR TO INSTALLING FLOOR DECKING**